

CASEGOODS

RECEPTION ADA
COMPLIANT

Series: WaveWorks

Aluminum: J Recommended
Steel: G Tools

Zinc: F

Glass: H

Wood: L

Fabric: A

Foam: B

Plastic 1: M

Plastic 2: O

Plastic 3: K

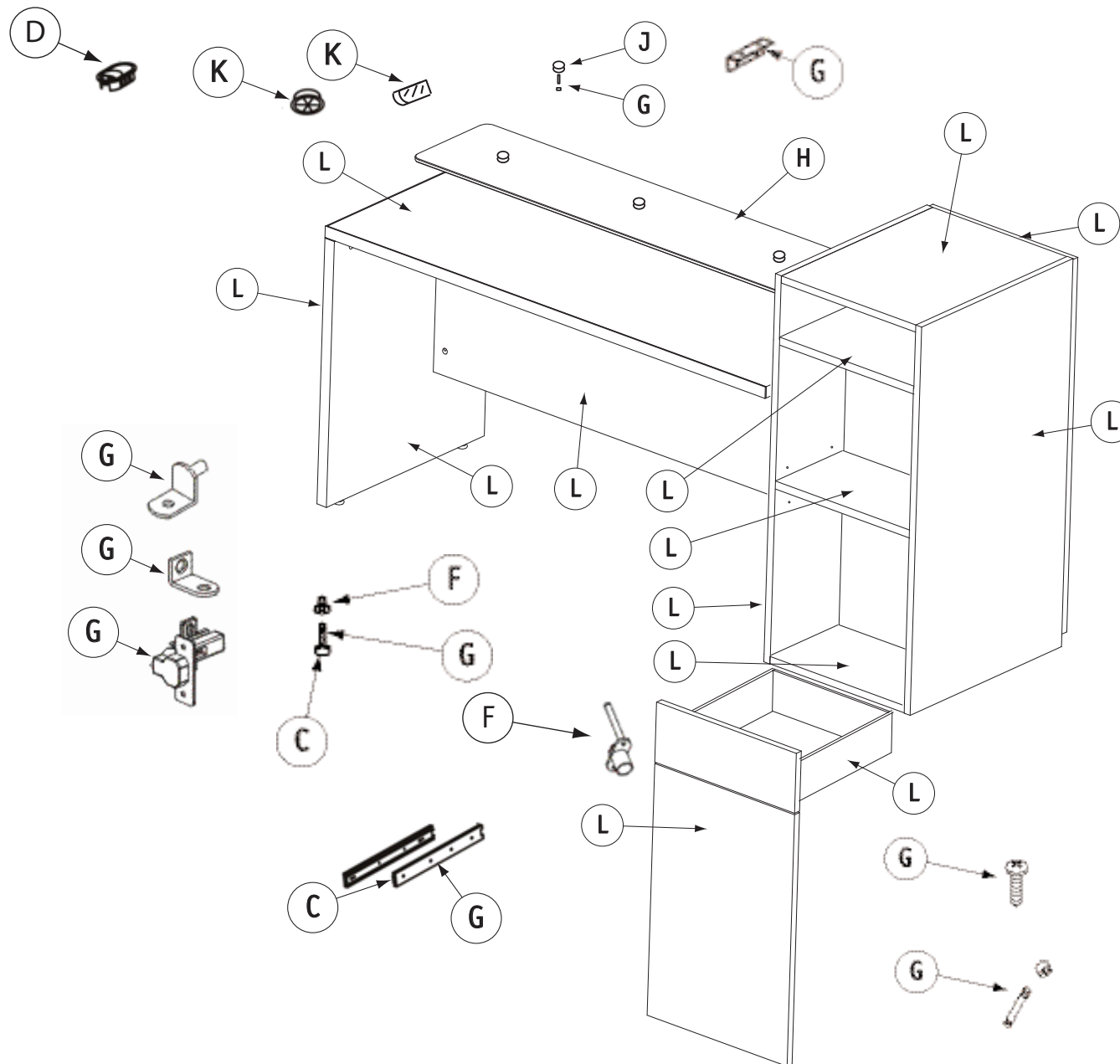
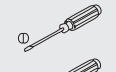
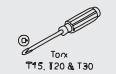
Plastic 4: I

Plastic 5: E

Plastic 6: N

Plastic 7: C

Plastic 9: D



NATIONAL Furniture with Personality

Phone 800.482.1717
Fax 812.482.8800
www.nationalonline.com
A Unit of Kimball International
©Kimball International, Inc.
2008

Part No. 2088355