

Table Bases

Series: General Purpose

Aluminum: J **Recommended**

Steel: G

Copper: P

Zinc: F

Glass: H

Wood: L

Fabric: A

Foam: B

Plastic 1: M

Plastic 2: O

Plastic 3: K

Plastic 4: I

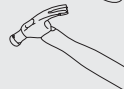
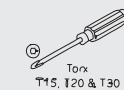
Plastic 5: E

Plastic 6: N

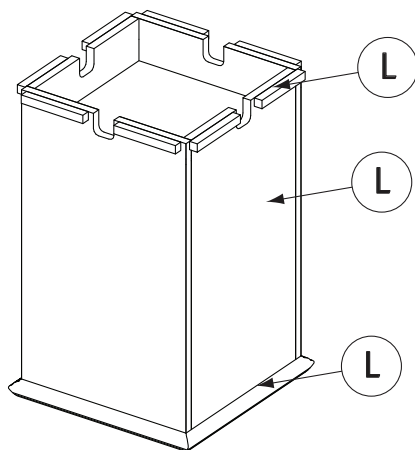
Plastic 7: C

Plastic 9: D

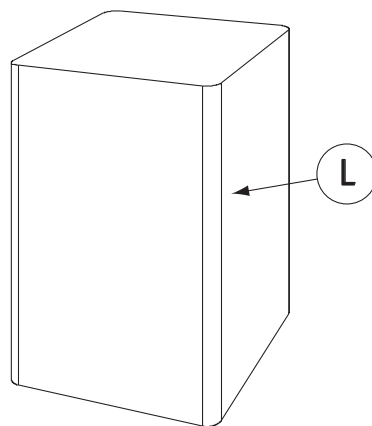
Tools



BW-1717W



BW-1616



- BW16
- BWW-16
- OW-C2220
- OP-C2120
- OW-S2220
- OP-S2120

