

Assembly Instruction

1

Turn the worksurface face down on a smooth, hard surface. Screw the Mod-eez studs into the pre-drilled holes (Figure A).

2

Screw the L-Brackets and Mod-eez studs into the pre-drilled holes of the Modesty panel (Figure B).

3

Attach the End panels to the Modesty panel by placing the End panel over the Mod-eez studs on the Modesty panel and slide up or down until the top of the Modesty panel is flush with the top of the End panel. Once assembled, there should be no gaps between either panel.

Note: A full panel is shown some applications may use a smaller support panel. Both attach to the modesty panel the same.

Full End Panel Assembly to the worksurface

4

Lift the end panel/modesty panel assembly and attach it to the worksurface by inserting the Mod-eez studs into the corresponding holes in the Mod-eez brackets in the End panel. Using the 5/8" x #8 PH Screws, attach the L Brackets on the modesty panel to the worksurface (Figure D).

Figure A

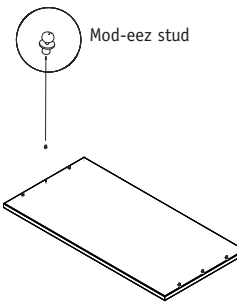


Figure B

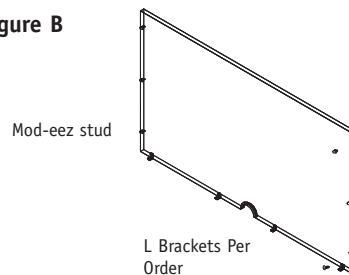


Figure C

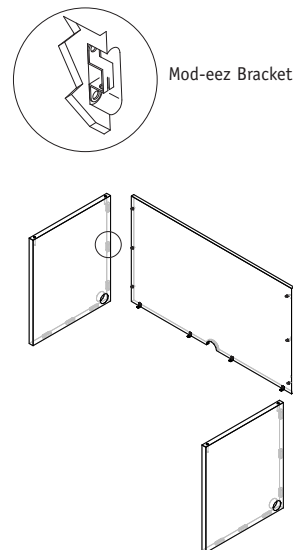
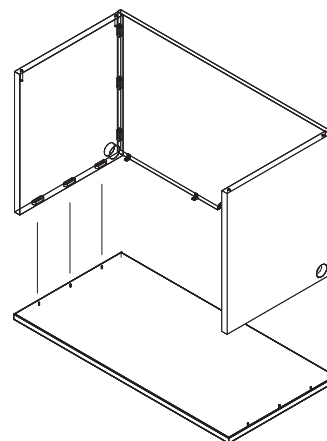


Figure D



Shell Desk Assembly

Recommended Tools

- Phillips Head Screw Driver

Package Contents

	Qty.
• #8 x 5/8" Panhead Screws	Per Order
• Mod-eez Studs	Per Order
• L Brackets	Per Order

NATIONAL™

Telephone 800.482.1717
Fax 812.482.8800
www.NationalOfficeFurniture.com

Part #2258932
Rev,-

Printed in U.S.A
© 2010 Kimball International, Inc.

Assembly Instruction

Shell Desk Assembly

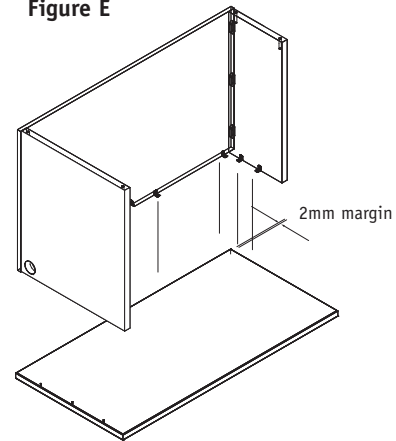
Small Panel Assembly to the worksurface

4

Lift the end and modesty panel assembly and attach it to the worksurface by inserting the Mod-eez studs into the corresponding holes in the Mod-eez brackets in the End panel. Using the 5/8" x #8 PH Screws, attach the L Brackets on the modesty panel and the small End panel to the worksurface, hold a 2mm margin on the Small panel end (Figure E).

Note: Figure E shows a Right unit, a Left unit would have the End panels on the opposite locations.

Figure E



Using Two (2) or more people flip the unit and place at its user position.

Proper product installation, in accordance with these instructions, is the responsibility of the installing agent. If you have any questions concerning these instructions, please call National Customer Service 800.482.1717.