

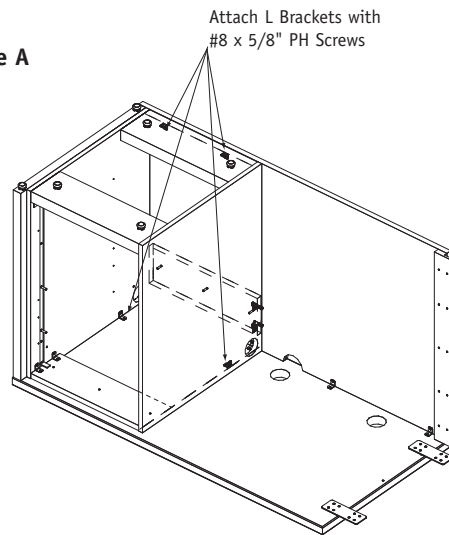
Assembly Instruction

Note: This Instruction explains how to attach a Component Pedestal to a Shell unit. It shows a Right handed single pedestal unit. There are Left handed and doubled pedestal units determine which unit you need then Assemble accordingly.

1

Turn the units worksurface face down on a smooth, hard surface. Align the Component Pedestal flush against the End and Modesty panel (Figure A). Using a Screwdriver attach the L-Brackets with the #8 x 5/8" PH screws into the Worksurface and the Modesty panel (Figure A).

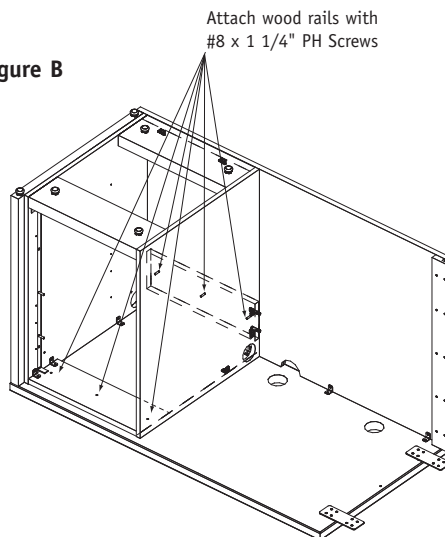
Figure A



2

Using a Screwdriver attach the wood rails with the #8 x 1 1/4" PH screws into the Worksurface and the Modesty panel (Figure B).

Figure B



3

Place unit in upright user position.

Component Pedestal

Recommended Tools

- Phillips Head Screw Driver

Package Contents	Qty.
• #8 x 5/8" Panhead Screws	Per Order
• #8 x 1 1/4" Panhead Screws	Per Order

NATIONAL™

Telephone 800.482.1717
Fax 812.482.8800
www.NationalOfficeFurniture.com

Part #2258935
Rev,-

Printed in U.S.A
© 2010 Kimball International, Inc.

Proper product installation, in accordance with these instructions, is the responsibility of the installing agent. If you have any questions concerning these instructions, please call National Customer Service 800.482.1717.