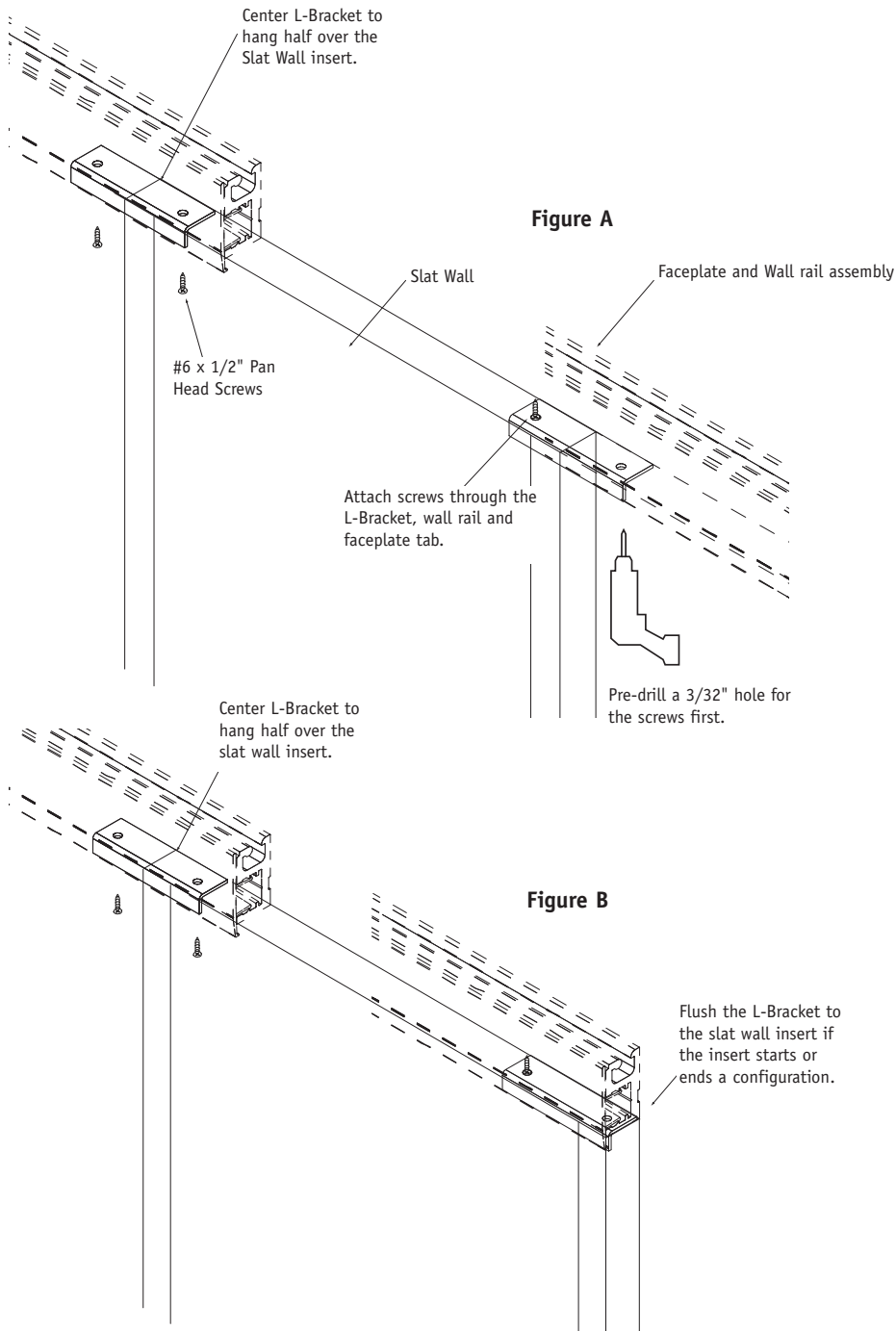


Assembly Instruction

Note: Faceplate should be installed on the upper wall rail. L-brackets are to be centered with half of the L-bracket hanging over the slat wall insert (Figure A). If the insert is the first or the last unit then the L-bracket on the end is to be flush to that edge of the insert (Figure B).

1

Position L-brackets in desired location. Pre-drill a 3/32" hole per screw, attach the L-brackets with two (2) #6 x 1/2" pan head screws per bracket (Figure A).



Exhibit™ Slat Wall Insert

Recommended Tools

- Tape Measure
- Phillips Head Screwdriver
- Drill with a 3/32" Bit

Package Contents Qty.

- | | |
|-----------------------------|---|
| • Slat Wall | 1 |
| • L Brackets | 2 |
| • #6 x 1/2" Pan Head Screws | 4 |

NATIONAL

Furniture with Personality®

Telephone 800.482.1717
Fax 812.482.8800
www.NationalOfficeFurniture.com

Part #2258950
Rev,-

Printed in U.S.A
© 2011 Kimball International, Inc.

Proper product installation, in accordance with these instructions, is the responsibility of the installing agent. If you have any questions concerning these instructions, please call National Customer Service.

Assembly Instructions

Slat Wall Insert

Note: Faceplate should be installed on the upper wall rail.

- 2** Tilt top of insert forward and engage top of insert behind the lip of the upper wall rail faceplate and the L bracket (Figure C). Push the bottom of the insert in to engage it onto the lower wall rail (Figure D).

Figure C

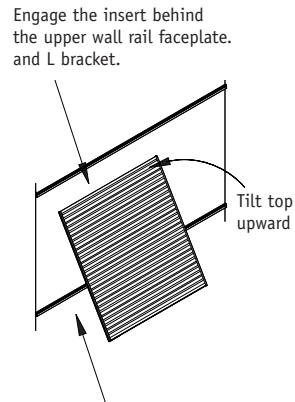
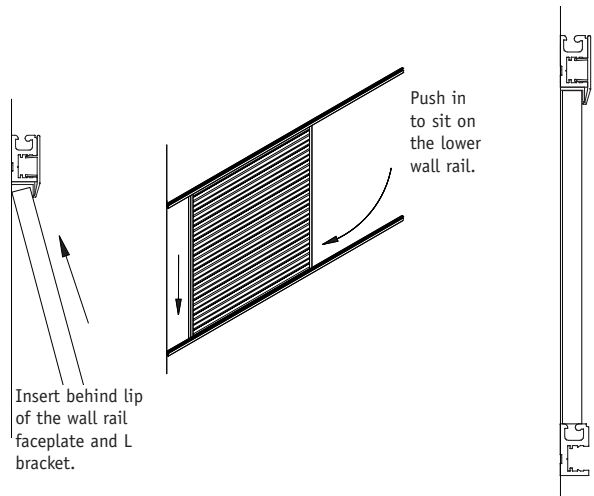


Figure D



- 3** Engage all inserts to complete the configuration. Install the lower faceplate onto the lower wall rail. Check faceplate and wall rail alignment to ensure there are no gaps.