

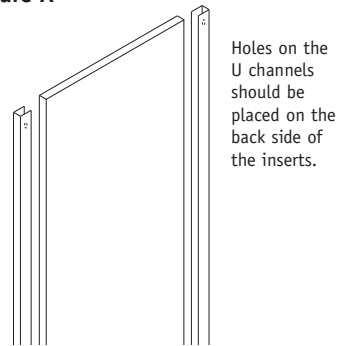
Assembly Instruction

Exhibit™ U Channel

- 1 Slide U channels over the insert before installing. Align the holes on the U channel to be on the back side of the inserts.

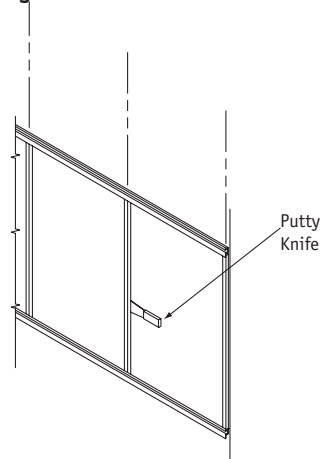
Note: U channels are not used with slat wall inserts.

Figure A



- 2 Using a putty knife, slide the U channel to fill any gaps between the inserts. Using a level, ensure U channels are plumb (Figure B).

Figure B



Package Contents	Qty.
• U Channels	Per Order

Recommended Tools

- Putty Knife
- Level

NATIONAL

Furniture with Personality®

Telephone 800.482.1717
Fax 812.482.8800
www.NationalOfficeFurniture.com

Part #2338456
Rev,-

Printed in U.S.A
© 2011 Kimball International, Inc.

Proper product installation, in accordance with these instructions, is the responsibility of the installing agent. If you have any questions concerning these instructions, please call National Customer Service.