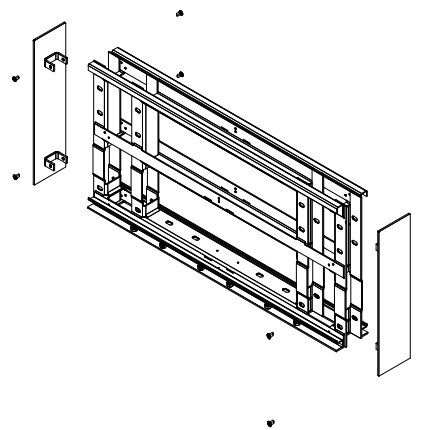


## Epicenter End Trim

**1**

The end trim can be applied to any open end of the Epicenter. (Figure A).

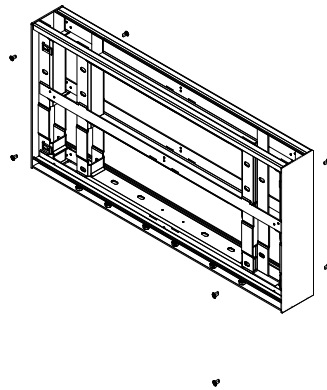
Figure A



**2**

Attach each end trim with four (4) 1/4-20 x 1/2" bolts through the holes in the end trim into the Epicenter (Figure B). **Note:** Size the position of the end trim with the inserts to allow enough room for the inserts to be installed. Hand tighten the bolts. If needed, a rubber mallet can be used to push in the end trim against the inserts to close any gaps.

Figure B



### Recommended Tools

- 5/32" Allen Wrench
- Rubber Mallet

### Package Contents

- | Package Contents     | Qty. |
|----------------------|------|
| • End Trim           | 1    |
| • 1/4-20 x 1/2" Bolt | 4    |

# NATIONAL

Furniture with Personality®

Telephone 800.482.1717  
 Fax 812.482.8800  
[www.NationalOfficeFurniture.com](http://www.NationalOfficeFurniture.com)

Part #2338471  
 Rev,-

Printed in U.S.A  
 © 2011 Kimball International, Inc.