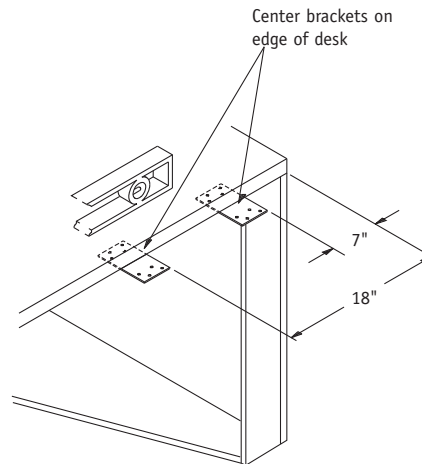


Assembled Unit Hook up

1

Move desk or credenza into desired position. Level unit. Attach mounting brackets to underside of desk or credenza worksurface where it will attach with the return or bridge worksurface. Center the brackets with the edge of the worksurface. Attach brackets to desk using the provided #10 x 1" panhead screws - four (4) per bracket (Figure A).

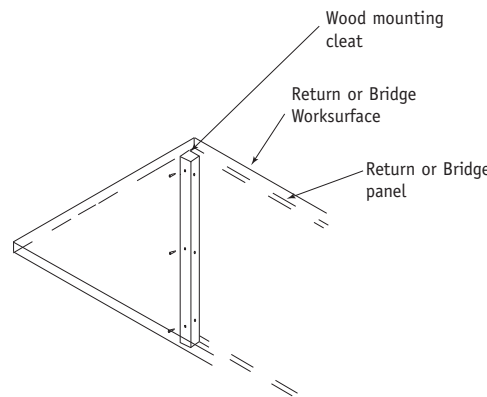
Figure A



2

Position wood mounting cleat on return or bridge flush to the modesty panel edge and flush to the front panel of the desk or credenza. Attach to the modesty panel using #8 x 1 1/4" panhead screws provided (Figure B).

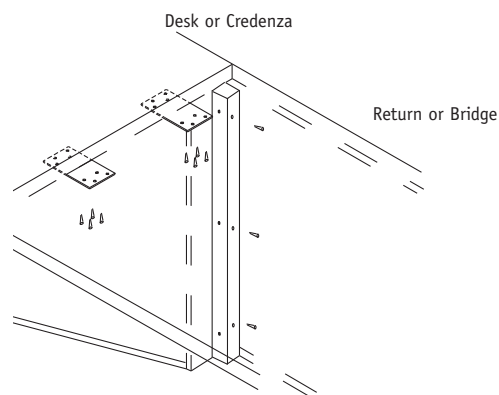
Figure B



3

Align the return or bridge unit to the desk or credenza. position the worksurfaces so the outer edges are flush and pulled tight. Fasten worksurfaces to the mounting brackets using #10 x 1" panhead screws - four (4) per bracket (Figure C). Using #8 x 1 1/4" panhead screws attach the wood mounting cleat to the desk front panel (Figure C).

Figure C



Note: This just shows one hook up joint for a bridge repeat the process for the other joint.

Casegoods

Return and Bridge Hookup

Recommended Tools

- Screw Gun
- Phillips Head Bit
- Level
- Square
- Tape Measure

Package Contents Qty.

- **Return**
- Mounting Brackets 2
- Wood Mounting Rail 1
- #10 x 1" Panhead Screws 16
- #8 x 1 1/4" Panhead Screws 10

- **Bridge**
- Mounting Brackets 4
- Wood Mounting Rail 2
- #10 x 1" Panhead Screws 32
- #8 x 1 1/4" Panhead Screws 20

NATIONAL

Furniture with Personality®

Telephone 800.482.1717
 Fax 812.482.8800
 www.NationalOfficeFurniture.com

Part #2351902
 Rev. -

Printed in U.S.A.
 © 2011 Kimball International, Inc.

Assembly Instruction

Component built up unit Hook up

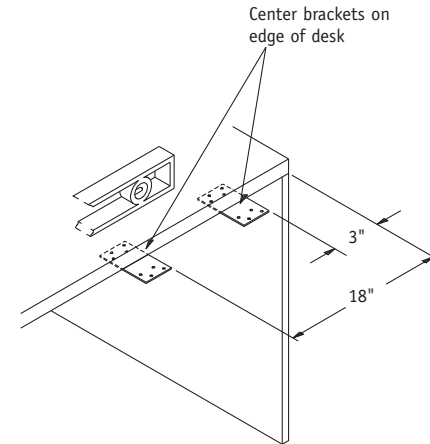
Casegoods

Return and Bridge
Hookup

1

Move desk or credenza into desired position. Level unit. Attach mounting brackets to underside of desk or credenza worksurface where it will attach with the return or bridge worksurface. Center the brackets with the edge of the worksurface. Attach brackets to desk using the provided #10 x 1" panhead screws - four (4) per bracket (Figure A).

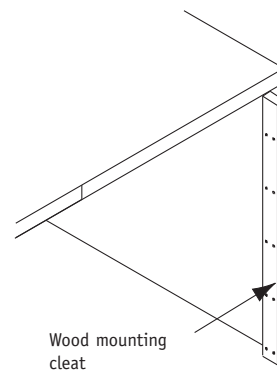
Figure A



2

Position wood mounting cleat on desk or credenza end panel and attach using #8 x 1 1/4" panhead screws provided (Figure B).

Figure B



3

Align the return or bridge unit to the desk or credenza. position the worksurfaces so the outer edges are flush and pulled tight. Fasten worksurfaces to the mounting brackets using #10 x 1" panhead screws - four (4) per bracket (Figure C). Using #8 x 1 1/4" panhead screws attach the wood mounting cleat to the modesty panel (Figure D).

Figure C

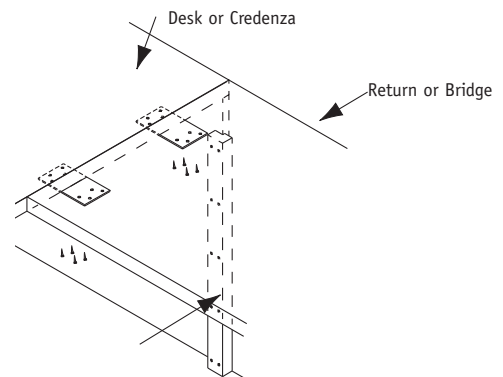
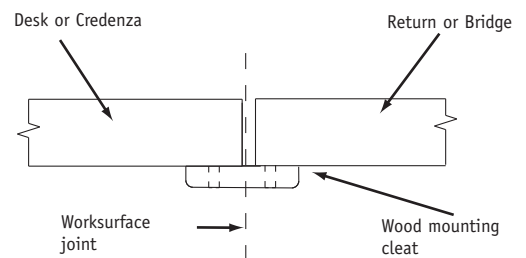


Figure D



Proper product installation, in accordance with these instructions, is the responsibility of the installing agent. If you have any questions concerning these instructions, please call Kimball Customer Care Teams.