

ASSEMBLY INSTRUCTIONS

- 1 Remove drawers from pedestals, then position pedestals upside-down on underside of worksurface. To install, place worksurface on a clean soft surface, underside facing up.

Note: Make sure drawers are returned to their original location.

- 2 Attach pedestals to the worksurface prior to installing modesty panel reference AI sheet 2076626. Prior to attaching modesty panel to pedestal, locate panel 5/64" from the edge of the pedestal end panel (Figure A).

- 3 Attach per order the L brackets into the pilot holes of the modesty panel with #8 x 5/8" pan head screws. Amount of brackets depend on the size of the modesty panel.

- 4 To attach the modesty to the pedestal, install the #8 x 5/8" screws through the brackets that are pre attached to the pedestal. Place two (2) L brackets to the modesty panel, inside the pedestal 2 1/2" from the end panels.

- 5 Fasten modesty to worksurface using the #8 x 1" pan head screws (Figure B).

- 6 If your unit is a return or a bridge attach the mounting bracket to the modesty panel using five (5) #8 x 1 1/4" pan head screws (Figure C).

NOTE: If a bridge is your unit repeat the process to attach the mounting bracket on the other side.

Figure A

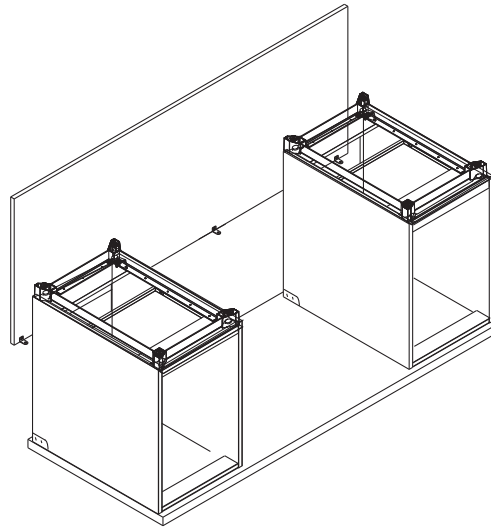
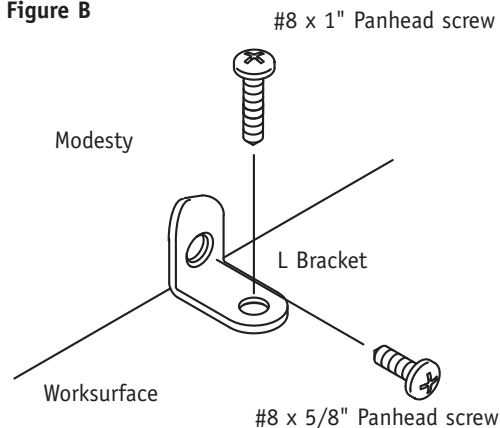
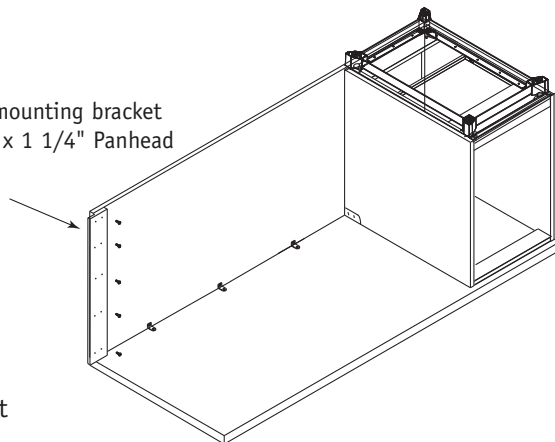


Figure B



Attach mounting bracket with #8 x 1 1/4" Panhead screw



Epic™ Modesty Panel

Recommended Tools

- Square
- Phillips Head Screwdriver
- Tape Measure

Package Contents	Qty.
• Modesty Panel	1
• L Bracket	per order
• Mounting Bracket	per order
• #8 x 5/8" Panhead screw	per order
• #8 x 1" Panhead screw	per order
• #8 x 1 1/4" Panhead screw	per order

NATIONAL

Furniture with Personality®

Telephone 800.482.1717
Fax 812.482.8800
www.NationalOfficeFurniture.com

Part #2351922
Rev,-

Printed in U.S.A.
© 2011 Kimball International, Inc.

Proper product installation, in accordance with these instructions, is the responsibility of the installing agent. If you have any questions concerning these instructions, please call National Customer Care Teams.