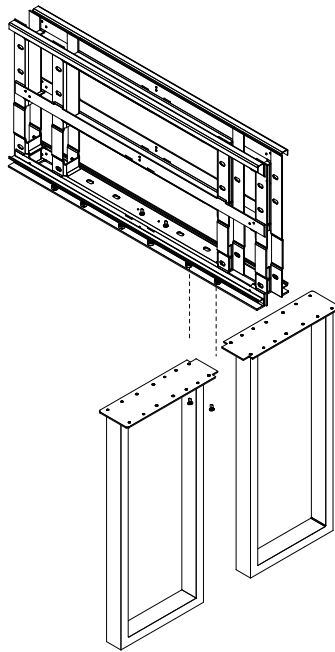


1

Determine how many and where to locate the support base within the configuration. When the support bases are located at the end of the Epicenter two (2) support bases must be used as shown in (Figure A). Attach each base with two (2) 1/4-20 x 1/2" bolts. **NOTE:** Hand tighten until all components are attached.

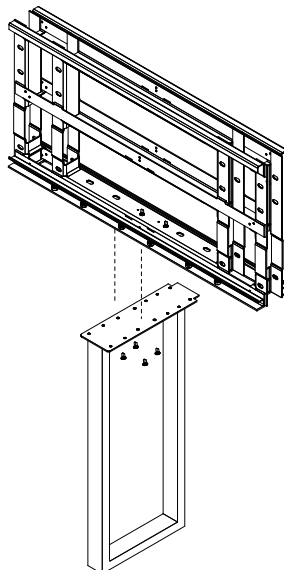
Figure A



2

When a support base is located anywhere besides the end of an Epicenter, position the Epicenter so it aligns the center of the support base at the desired location as shown in (Figure B). Attach each base with four (4) 1/4-20 x 1/2" bolts. **NOTE:** Hand tighten until all components are attached.

Figure B



Epicenter Support Base

Recommended Tools

- 5/32" Allen Wrench

Package Contents

- | | Qty. |
|----------------------|------|
| • Support Base | 1 |
| • 1/4-20 x 1/2" Bolt | 4 |

NATIONAL

Furniture with Personality®

Telephone 800.482.1717
 Fax 812.482.8800
www.NationalOfficeFurniture.com

Part #2363216
 Rev,-

Printed in U.S.A
 © 2011 Kimball International, Inc.

Proper product installation, in accordance with these instructions, is the responsibility of the installing agent. If you have any questions concerning these instructions, please call National Customer Service 800.482.1717.