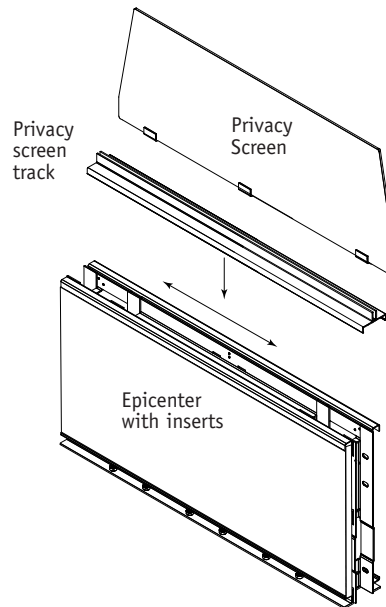


**Note:** Privacy screens normally are one of the last items to be installed. This Instruction only shows it attaching to a single Epicenter. The process is the same for all configurations.

**1**

Determine the desired location for the privacy screen. Align the channel of the privacy screen track over the Epicenter and press down along the length of the privacy screen track (Figure A).

**Figure A**



## Epicenter Privacy Screen

### Recommended Tools

- None

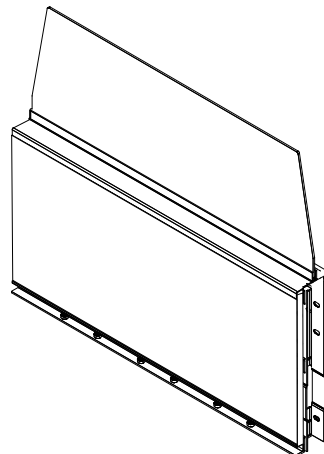
### Package Contents

	Qty.
• Privacy Screen	1
• Privacy Screen Track	1

**2**

Align and seat the privacy screen into the groove of the privacy screen track (Figure B).

**Figure B**



# NATIONAL

Furniture with Personality®

Telephone 800.482.1717  
Fax 812.482.8800  
www.NationalOfficeFurniture.com

Part #2367601  
Rev,-

Printed in U.S.A  
© 2011 Kimball International, Inc.

Proper product installation, in accordance with these instructions, is the responsibility of the installing agent. If you have any questions concerning these instructions, please call National Customer Service 800.482.1717.