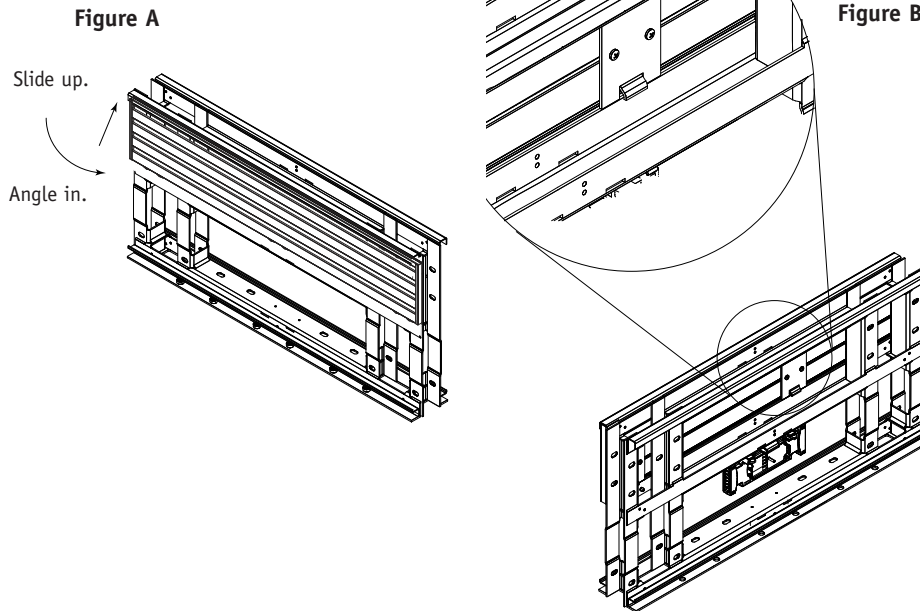


**Note:** If the Epicenter has an electrical option, all electrical must be installed before the tack board inserts.

**1**

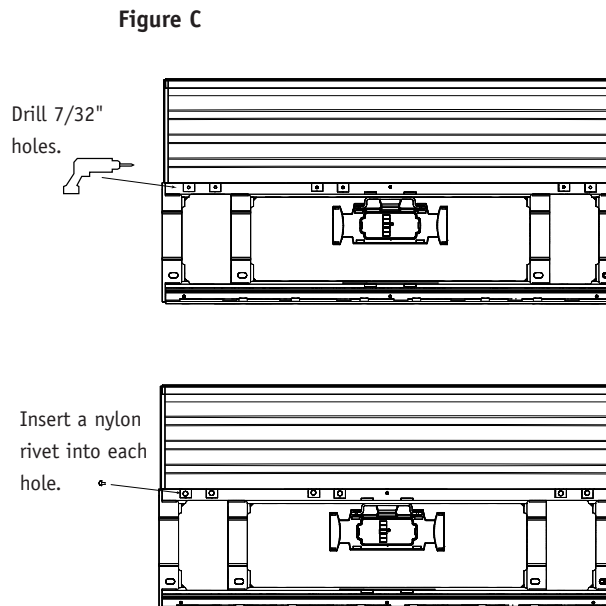
Tilt and angle the upper slat wall insert behind the lip of the upper flange of the Epicenter (Figure A). Engage the brackets on the back side of the slat wall onto the Epicenter (Figure B). **Note:** If needed, the bracket may be moved. Using a screwdriver, remove the screws and re-locate.



**2**

Using a drill with a 7/32" bit, bore a hole through the Epicenter using the hole in the bracket as a guide (Figure C). Insert a nylon rivet into each hole (Figure C).

**Note:** The number and location of the brackets depends on the size of the Epicenter.



## Epicenter Slat wall / Tack Board Insert

### Recommended Tools

- Drill with 7/32" bit
- Phillips head screwdriver

### Package Contents Qty.

- Slat / Tack Board Insert 1
- Nylon Rivet per order

# NATIONAL

Furniture with Personality®

Telephone 800.482.1717  
 Fax 812.482.8800  
 www.NationalOfficeFurniture.com

Part #2382781  
 Rev,-

Printed in U.S.A  
 © 2011 Kimball International, Inc.

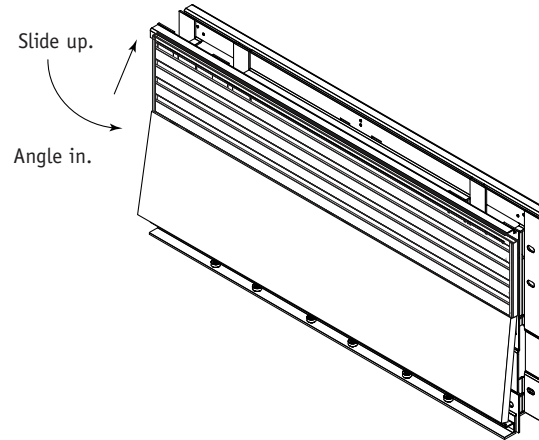
Proper product installation, in accordance with these instructions, is the responsibility of the installing agent. If you have any questions concerning these instructions, please call National Customer Service 800.482.1717.

## Assembly Instruction

### Epicenter Slat Wall / Tack Board Insert

Tilt and angle the lower tack board insert behind the lip of the slat wall, push in at the bottom to engage behind the lower flange of the Epicenter (Figure D).

Figure D



If the Epicenter has an electrical option, all electrical must be installed before the bottom tack board inserts (Figure E). **Note:** Depending on the configuration, the electrical can be installed from the floor up or from the ceiling down.

Figure E

