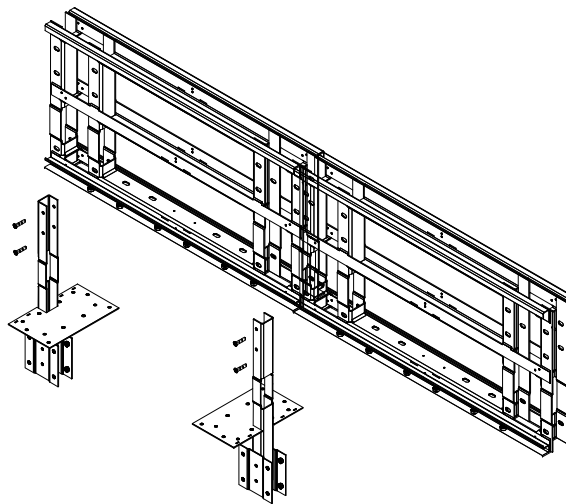


1

Determine how many and where to locate the pedestal bracket within your configuration. Epicenters have several locations for placement of the pedestal bracket. **Note:** how the pedestal brackets are always turned inward (Figure A).

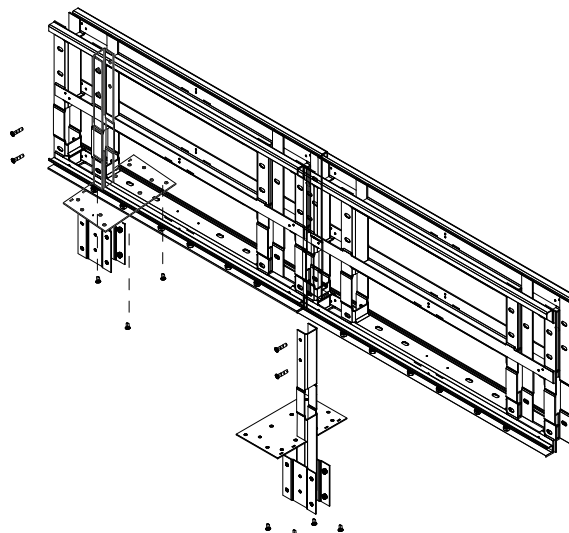
Figure A



2

Attach two (2) 1/4-20 x 1.5" bolts through the holes into the Epicenter. Attach the 1/4-20 x 1/2" bolt through the holes in the plate of the pedestal bracket into the Epicenter (Figure B). **NOTE:** Hand tighten until all components are attached.

Figure B



Epicenter Pedestal Bracket

Recommended Tools

- 5/32" Allen Wrench

Package Contents

	Qty.
• Bracket	1
• 1/4-20 X 1.5 Bolt	2
• 1/4-20 Nut	2
• 1/4-20 x 1/2" Bolt	4
• 1/4-20 X 30 Connector Bolt	8

NATIONAL

Furniture with Personality®

Telephone 800.482.1717
 Fax 812.482.8800
www.NationalOfficeFurniture.com

Part #2386581
 Rev,-

Printed in U.S.A
 © 2011 Kimball International, Inc.

Proper product installation, in accordance with these instructions, is the responsibility of the installing agent. If you have any questions concerning these instructions, please call National Customer Service 800.482.1717.