

Note: The first section of this Assembly Instruction describes the installation of the tack board on a wall with wooden studs. Alternate mounting surfaces may include metal studs and masonry block when the appropriate fasteners are used; fasteners are **NOT** supplied. The tack board **CANNOT** be mounted **ONLY** to wall board or similar "sheet" material.

Locate the wall substructure along the fastener location lines. FOR PROPER ATTACHMENT OF TACK BOARD TO THE WALL, FASTENERS MUST TIE DIRECTLY INTO THE SUBSTRUCTURE OF THE WALL (STUDS, BLOCKS, SOLID MASONRY). Select the appropriate fasteners for type of structural wall.

NOTICE: National defines a structural wall as a load-bearing wall constructed of materials such as: poured concrete, concrete block, or studs. Wood studs must be a nominal 2" x 4" size minimum. Metal studs must be "C" channel 20 gauge thick minimum. Metal or wood studs must be on centers no greater than 24" and have to resist not less than a force of 5 lbs. per square foot applied perpendicular to wall. The deflection of such walls under a load of 5 lbs. per square foot shall not exceed 1/240 of the span for walls with brittle finishes and 1/120 of the span for walls with flexible finishes (per Uniform Building Code Section 2309b). If you have any questions concerning your load-bearing structures, please consult your architect or structural engineer.

Prepare wall for attachment by pre-drilling for and/or installing fasteners along lines per the fastener manufacturer's guidelines. Recommended spacing of fasteners is 16", but should not exceed 24" on center. When ending a run, DO NOT extend the hanger rail more than 6" beyond the last anchor attachment.

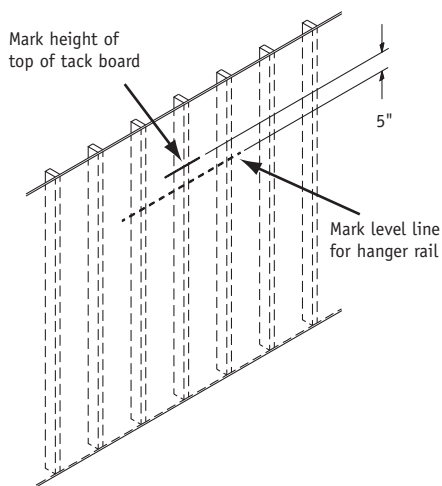
NOTICE: It is the responsibility of the installer and/or the contractor to select and install the proper fasteners in the structural wall. National does not furnish fasteners or assume liability for their use.

**1**

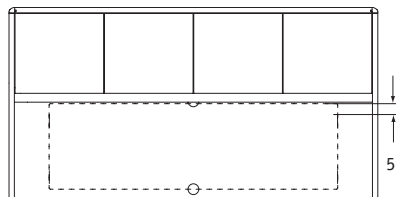
### Wall or Highback Mounted Tack Board

Place the tack board against the wall (Figure A) or back panel of the highback (Figure B) in the desired location. Mark the top edge of the tack board and set aside. Measure down 5" from this mark and mark a level line.

**FIGURE A**



**FIGURE B**



## Tack Board Placement and Mounting for TBR Series

### Recommended Tools

- Phillips Screwdriver
- Pencil
- Tape Measure
- Power Drill/Bits
- Screw bits

Package Contents	Qty.
• Tack Board	1
• Hanger Rail	1

# NATIONAL

Furniture with Personality®

Telephone 800.482.1717  
 Fax 812.482.8800  
 www.NationalOfficeFurniture.com

Part #2258944  
 Rev,-

Printed in U.S.A  
 © 2010 Kimball International, Inc.

Proper product installation, in accordance with these instructions, is the responsibility of the installing agent. If you have any questions concerning these instructions, please call National Customer Service.

## Tack Board Placement and Mounting for TBR Series

### Recommended Fasteners

**Note: Not supplied**

#### Steel Stud (for 1/2" to 3/4" drywall):

Toggler Brand anchor	50BB 1/4"
Hilti Toggler anchor	3/16"
Molley anchor	1/4"

#### Wood Stud (for 1/2" to 3/4" drywall):

#10 x 2" flat head sheet metal screw

#### Solid Masonry:

Hillman 1/4"-20 machine screw anchor  
Tapcon 1/4"- 2 3/4" hex washer head

#### Masonry Block:

Toggler Brand anchor 50BB 1/4"  
Hilti Toggler anchor 1/4"  
Hillman 1/4"-20 machine screw anchor  
Tapcon 1/4"- 2 3/4" hex washer head

#### Highback:

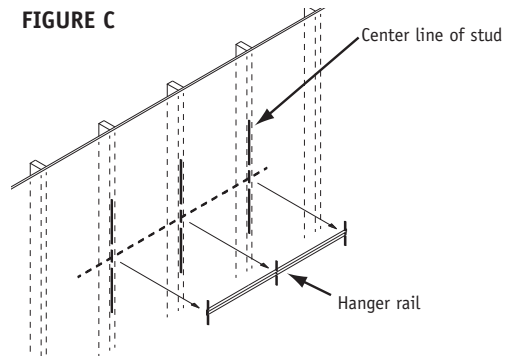
#8 x 3/4" pan head wood screw

**2**

#### Wall Mounted Tack Board Only

Locate the centers of three (3) wall studs (recommended) and transfer these location to the Hanger rail (Figure C).

FIGURE C



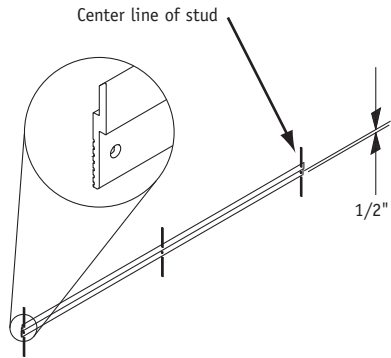
**3**

#### Wall Mounted Tack Board Only

Bore three (3) holes through the hanger rail 1/2" above the bottom edge as shown, from the locations marked in Step 2 (Figure D).

**Note:** Hole sizes are dependent upon the size of the fastener selected; these fasteners are **NOT** supplied.

FIGURE D

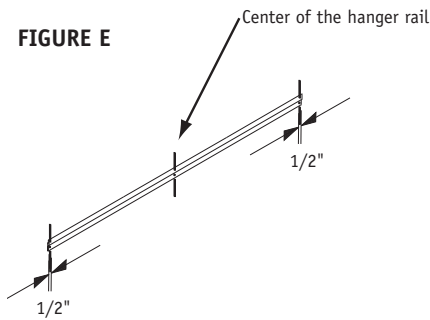


**4**

#### Highback Mounted Tack Board Only

Bore three (3) holes through the hanger rail 1/2" above the bottom edge as shown in (Figure D). Locate two (2) holes 1" from each end, locate one hole in the center of the hanger rail (Figure E).

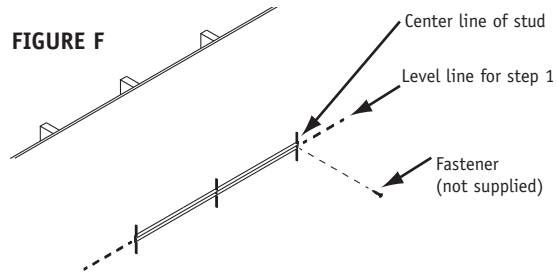
FIGURE E



**5**

Attach the hanger rail to the wall or back panel, aligning the hole centers with the level line marked in step 1. Make sure that each screw makes full, solid contact with each stud or back panel (Figure F).

FIGURE F



**6**

Place the tack board against the wall or panel so that the long mounting rail is above the hanger rail. Lower tack board until mounting rail is firmly and squared seated on the hanger rail (Figure G).

FIGURE G

