

Drawer Front Adjustment

- Recommended Tools
- Phillips Screwdriver
 - Tape Measure

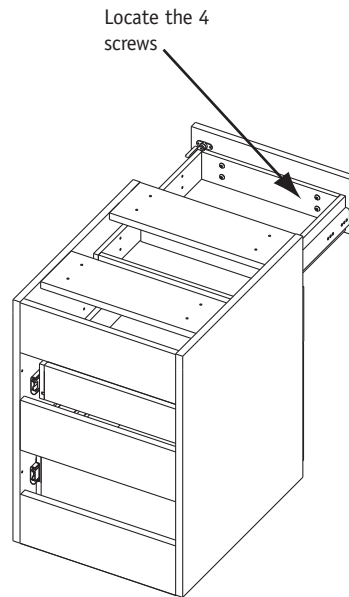
1

NOTE: Level unit in accordance with the Leveling Assembly Instruction sheet before adjusting drawer fronts.

Open drawer and locate the four (4) screws attaching the drawer front to the drawer box (Figure A).

NOTE: Lateral file drawer fronts use six (6) screws.

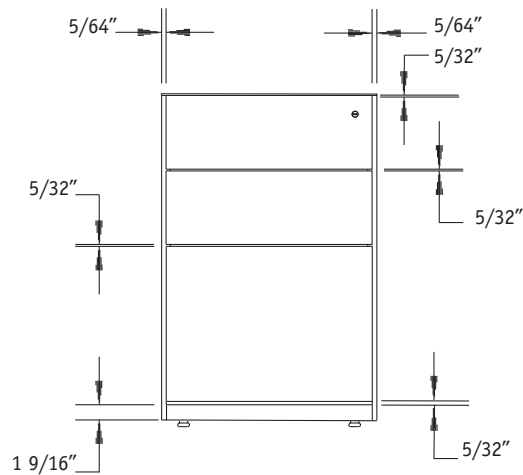
Figure A



2

Loosen screws and align drawer fronts to the approximate locations shown; tighten screws. Repeat for other drawers in unit (Figure B).

Figure B



NATIONAL

Furniture with Personality®

Telephone 800.482.1717
 Fax 812.482.8800
www.nationalonline.com

Part #2034579

Proper product installation, in accordance with these instructions, is the responsibility of the installing agent. If you have any questions concerning these instructions, please call National Customer Care Teams.