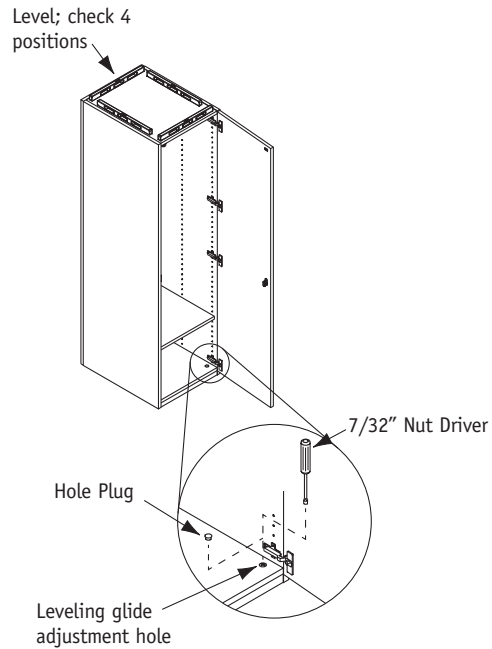


1**Freestanding Bookcases, Storage Cabinets:**

Locate and remove the four (4) hole plugs in the bottom panel to access the leveling glide adjustment holes. Turn the glides fully "in" (counter-clockwise) prior to leveling. Level the unit from front-to-back by extending the glides (turn clockwise). Level the unit from side-to-side. Check adjustments by placing the level in the four (4) positions shown. Replace the hole plugs (Figure A).

Figure A

Assembly Instructions

**Freestanding Bookcases,
Storage Cabinets**

Recommended Tools

- Level
- 7/32" Nut Driver

NATIONAL

Furniture with Personality®

Telephone 800.482.1717

Fax 812.482.8800

www.nationalonline.com

Part #2034576

Proper product installation, in accordance with these instructions, is the responsibility of the installing agent. If you have any questions concerning these instructions, please call National Customer Care Teams.

© 2007 Kimball International, Inc.