

Freestanding Pedestals
and Worksurfaces

Recommended Tools

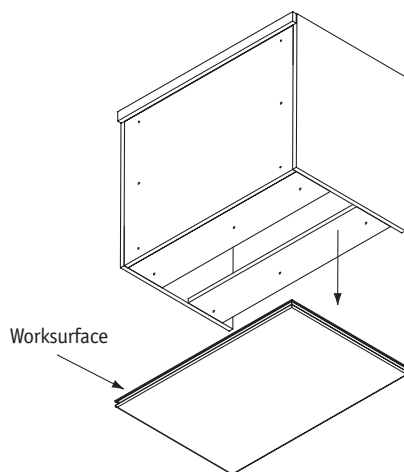
- Tape Measure
- Square
- #2 Phillips Head Bit
- Screw Gun

Package Contents

- #8x1 1/4" Panhead Screws
- Supplied Screws

1 To install, place worksurface on a clean, soft surface with underside facing up. Remove drawers from pedestal, then position pedestal upside down on the underside of worksurface (Figure A). The worksurface should overhang the back of the storage unit 15/16" and be centered side-to-side.

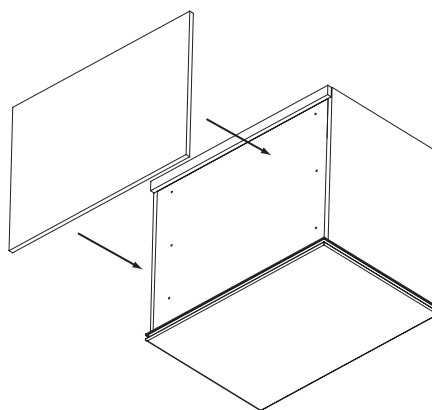
Figure A



2 Attach pedestal to worksurface using the 1 1/4" screws through the pilot holes in the top stretchers of the storage unit.

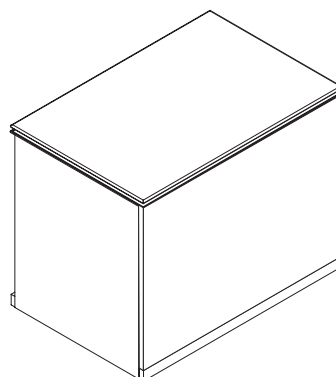
3 While the unit is still upside down, attach the modesty/back panel. Rest the panel against the worksurface and center side-to-side. Run the supplied screws through the pre-bored holes in the back into the modesty/back panel (Figure B).

Figure B



4 Carefully turn the unit upright (Figure C).

Figure C



Proper product installation, in accordance with these instructions, is the responsibility of the installing agent. If you have any questions concerning these instructions, please call National Customer Care Teams.

NATIONAL

Furniture with Personality®

Telephone 800.482.1717

Fax 812.482.8800

www.nationalonline.com

Part #2034582

© 2007 Kimball International, Inc.