

Mobile Pedestal

Recommended Tools

- Screw Gun
- #2 Phillips Bit

Package Contents	Qty.
• #8 x 5/8" Screws	16
• Casters	4

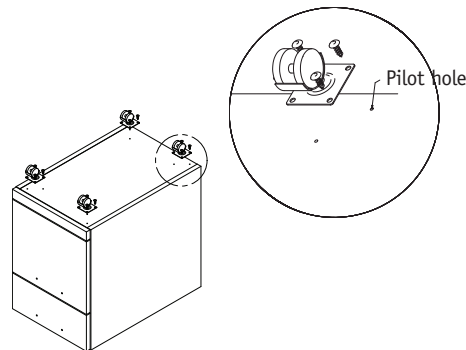
1

To install casters, use four (4) #8 x 5/8" screws to attach each caster to bottom panel of mobile pedestal.

2

Use the pilot holes in the bottom panel to locate each caster (two pilot holes per caster) (Figure A).

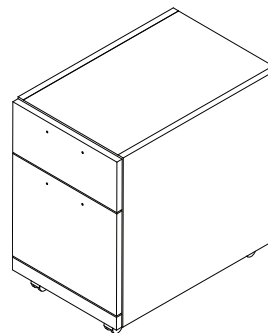
Figure A



3

After all casters have been attached, carefully turn unit upright (Figure B).

Figure B



NATIONAL

Furniture with Personality®

Telephone 800.482.1717
 Fax 812.482.8800
www.nationalonline.com

Part #2034568

© 2007 Kimball International, Inc.

Proper product installation, in accordance with these instructions, is the responsibility of the installing agent. If you have any questions concerning these instructions, please call National Customer Care Teams.