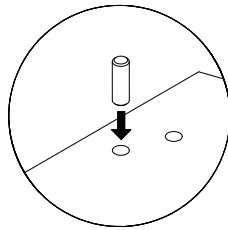
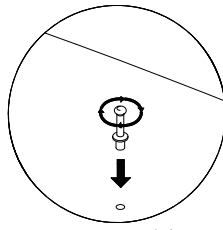


1 Insert dowels (4) and mini-fix studs (3) into worksurface (Figures A & B).

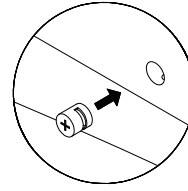
Figure A



Press dowel into desired hole, no adhesive required.

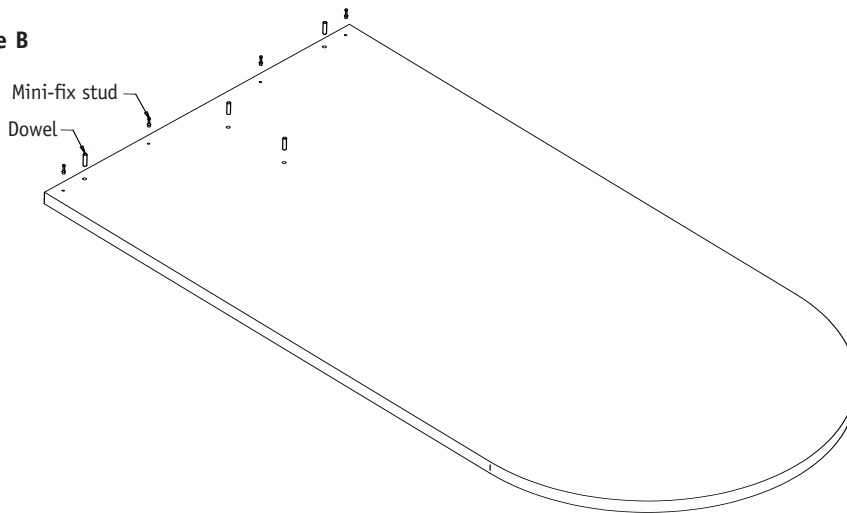


Do not over tighten mini-fix studs. Use for Mod-eez studs also.



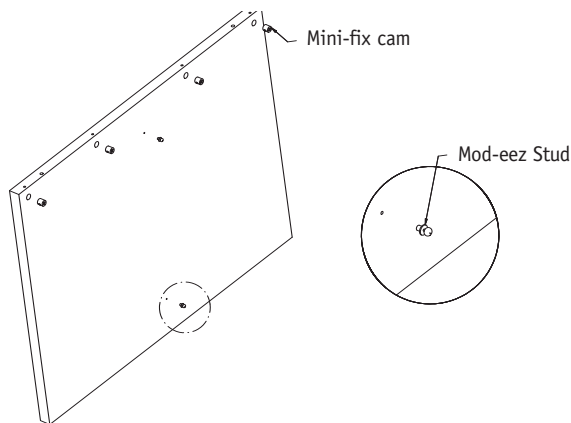
Insert mini-fix cam into corresponding holes. Once the corresponding panel(s) are in place, turn cam clockwise to tighten.

Figure B



2 Insert mini-fix cams and mod-eez studs into end panel (Figures A & C).

Figure C



Assembly Instructions

U-Shaped Desk
(without modesty panel)

Recommended Tools

- Phillips Screwdriver
- Tape Measure

Package Contents	Qty.
• 5/16" x 1 3/16" Dowels	4
• Mini-fix Cams	4
• Mini-fix Studs	4
• Mod-eez Studs	2
• Mod-eez Brackets	2
• 3/16" x 1 1/4" Screws	6
• 3/16" x 5/8" Screws	16
• L-Brackets	3

NATIONAL

Furniture with Personality®

Telephone 800.482.1717
Fax 812.482.8800
www.nationalonline.com

Part #2034574

Proper product installation, in accordance with these instructions, is the responsibility of the installing agent. If you have any questions concerning these instructions, please call National Customer Care Teams.

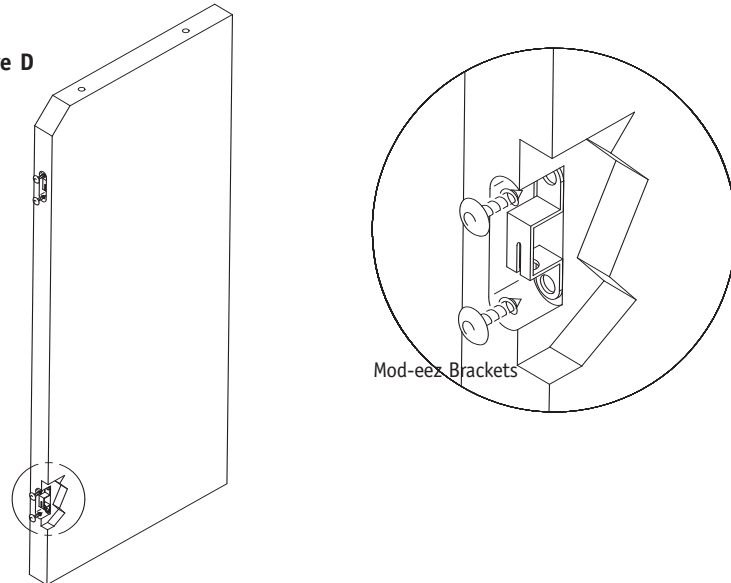
Assembly Instructions

U-Shaped Desk
(without modesty panel)

3

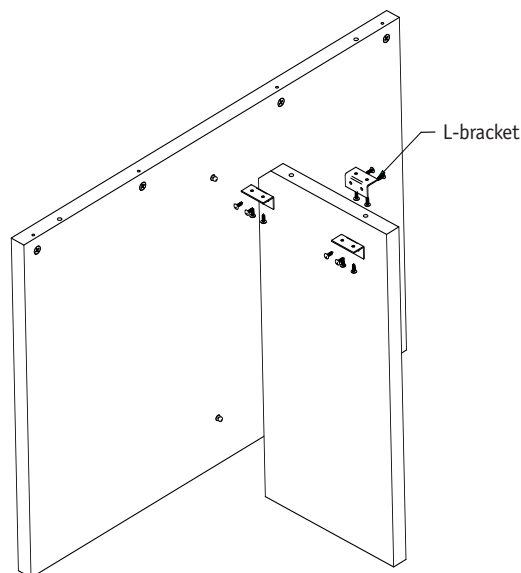
Attach Mod-eez brackets to the support panel using four (4) 3/16" x 5/8" screws (Figure D).

Figure D



4

Attach support panel to the end panel by placing the support panel over the studs on the end panel and slide up or down until the top of the support panel is even with the top of the end panel. At this time, three (3) L-brackets can be attached to the support panel. Place two (2) L-brackets on one side of the panel and one (1) L-bracket on the opposite side. Use six (6) 3/16" x 5/8" screws to attach the L-brackets. Once assembled, there should be no gaps between the end panel and the modesty panel (Figure E).

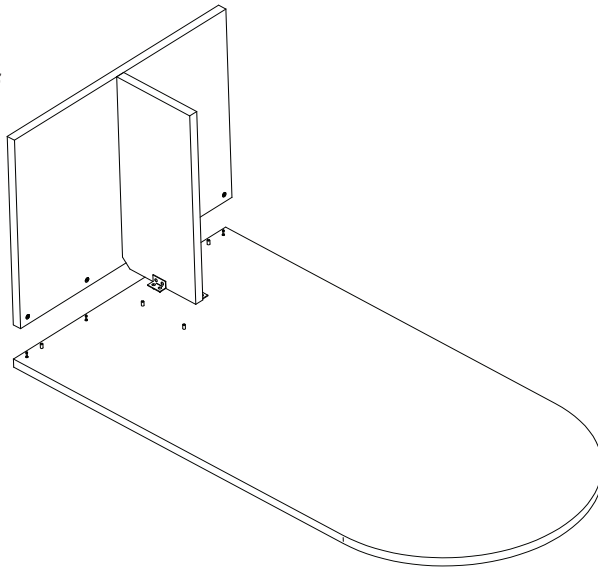


Proper product installation, in accordance with these instructions, is the responsibility of the installing agent. If you have any questions concerning these instructions, please call National Customer Care Teams.

U-Shaped Desk
(without modesty panel)**5**

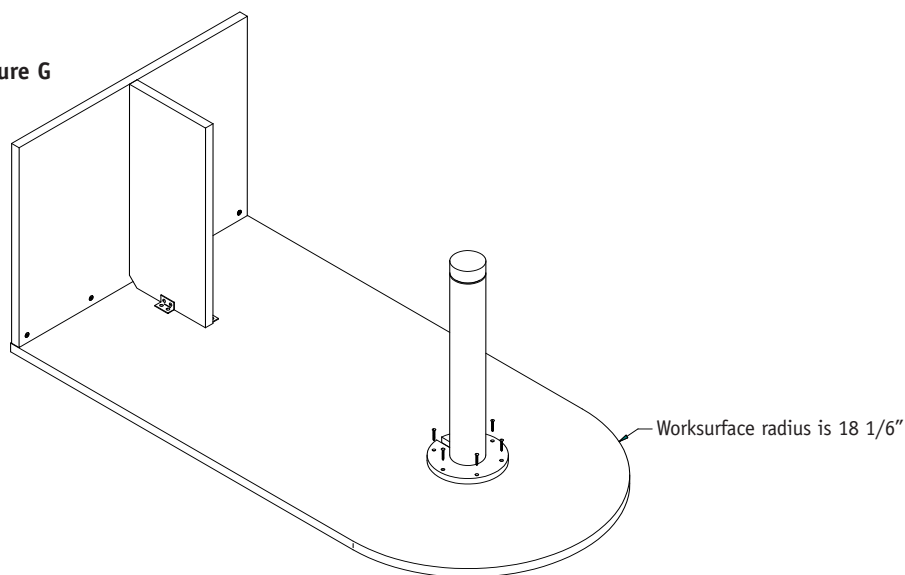
Attach the support/end panel assembly to the worksurface using the Mini-fix cam assembly shown in Figure A. Using six (6) 3/16" x 5/8" screws, attach the L-brackets to the worksurface. Once assembled, there should be no gaps between the end/support panels and the worksurface (Figure F).

Figure F

**6**

Place the cylinder leg at the center point of the radius of the worksurface. Using six (6) 3/16" x 1 1/4" screws, attach the cylinder leg to the worksurface (Figure G).

Figure G



Proper product installation, in accordance with these instructions, is the responsibility of the installing agent. If you have any questions concerning these instructions, please call National Customer Care Teams.

Assembly Instructions

U-Shaped Desk
(without modesty panel)

8

Carefully turn unit upright (Figure H).

Figure H

