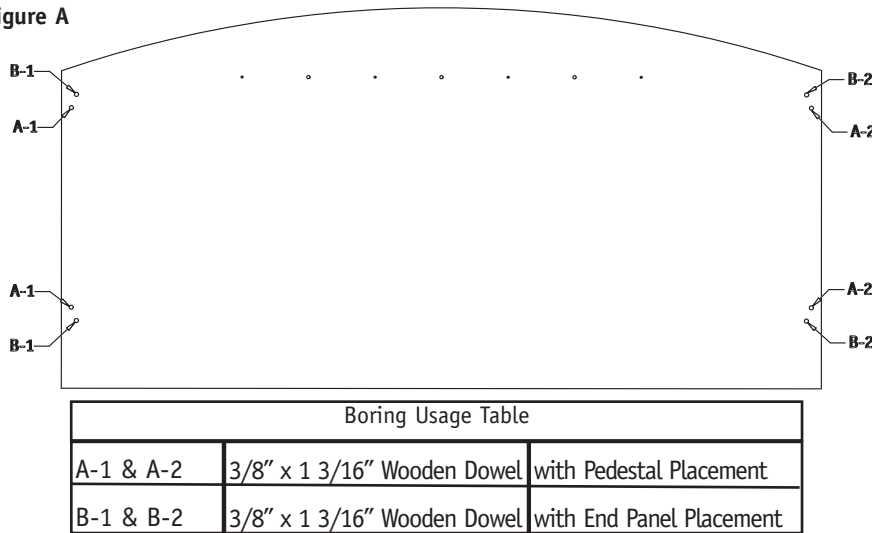


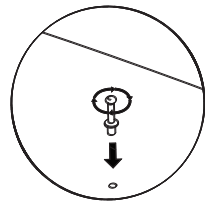
1 Determine the type of unit to be built and use boring usage table to insert 3/8" dowels into proper locations on worksurface (Figure A). Wooden dowels simply presses snugly into hole.

Figure A

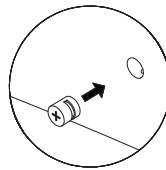


2 Insert 5/16" dowels, mini-fix studs, and cams into boring on modesty panel and worksurface (Figure B). Attach modesty panel to worksurface (Figure C).

Figure B

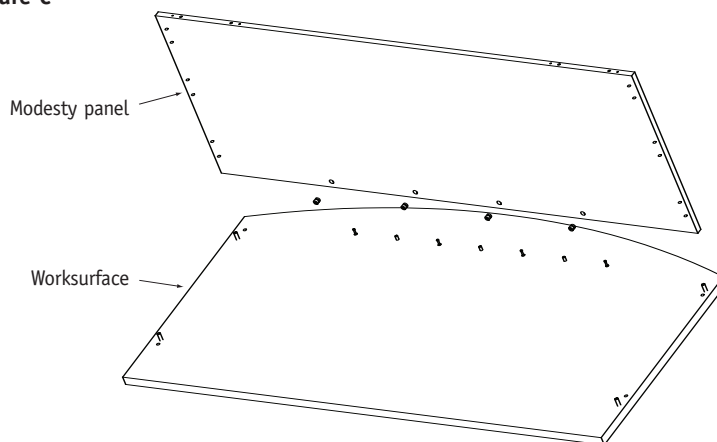


Insert mini-fix stud into 3/16" boring. Do not over tighten.



Insert mini-fix cam into corresponding 9/16" holes. Once corresponding panel(s) are in place, turn cam clockwise to tighten.

Figure C



Assembly Instructions

Desks and Credenzas

Recommended Tools

- Phillips Screwdriver
- Tape Measure

Package Contents Qty.

- Worksurface & Modesty
- 5/16"x1 3/16" Dowels 3
 - 3/8"x1 3/16" Dowels 4
 - Mini-fix Cams 4
 - Mini-fix Studs 4

- Pedestal
- #8x1 1/4" Screws 10

- End Panel
- L-Brackets 3
 - #8x5/8" Screw 18
 - 5/16"x1 3/16" Dowels 2
 - Mini-fix Cams 2
 - Mini-fix Studs 2

NATIONAL

Furniture with Personality®

Telephone 800.482.1717
 Fax 812.482.8800
 www.nationalonline.com

Part #2034569

Proper product installation, in accordance with these instructions, is the responsibility of the installing agent. If you have any questions concerning these instructions, please call National Customer Care Teams.

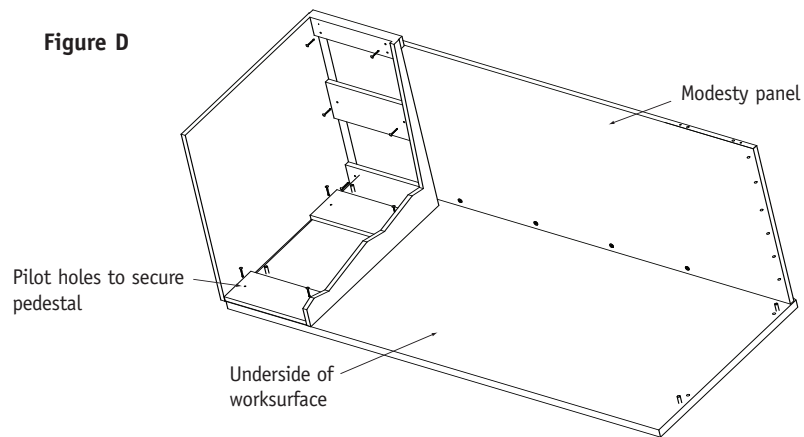
3

Remove drawers from pedestal(s). Place top of pedestal on underside of worksurface; sliding the pedestal towards the center of the worksurface and towards modesty panel until it comes into contact with both dowels and the modesty. Hold firmly into place.

4

Use four (4) #8 x 1 1/4" wood screws to secure pedestal to worksurface. There should be no gaps between pedestal and worksurface. Using six (6) #8 x 1 1/4" wood screws, secure pedestal the modesty panel. There should be no gaps between modesty panel and pedestal (Figure D).

Figure D



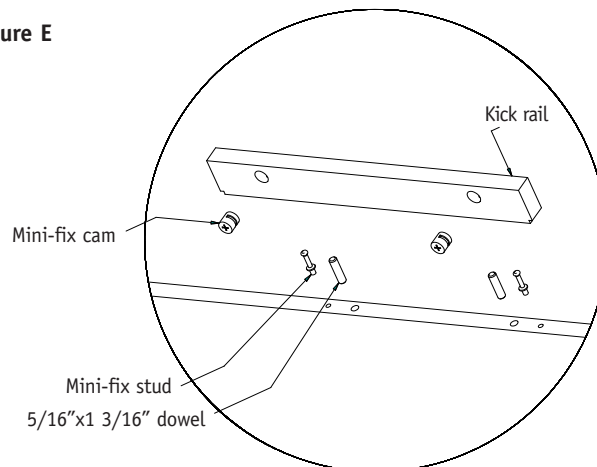
5

If building a kneespace credenza or double pedestal desk, repeat Steps 3 & 4 to attach other pedestal and complete the assembly.

6

When building a single pedestal desk or credenza, a kick rail must be attached at the other end of the modesty panel by inserting dowels and mini-fix studs into modesty panel (Figure E).

Figure E



Proper product installation, in accordance with these instructions, is the responsibility of the installing agent. If you have any questions concerning these instructions, please call National Customer Care Teams.

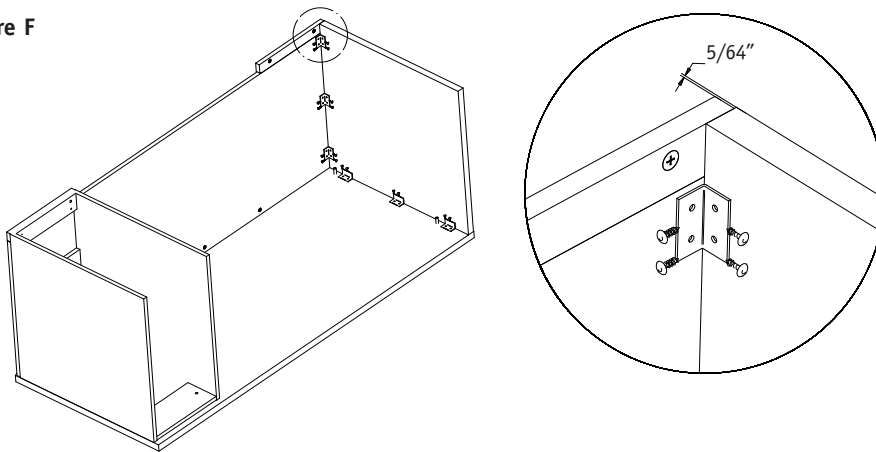
7

Place top of end panel on underside of worksurface. Slide end panel toward the center of the worksurface and towards the modesty panel until it comes into contact with both dowels and the modesty. Hold firmly into place.

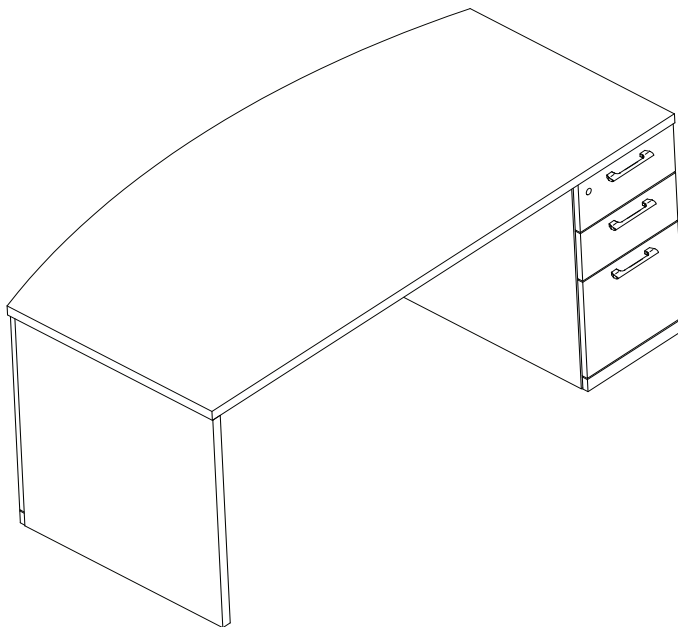
8

Use six (6) #8 x 5/8" wood screws to secure end panel to worksurface. Using twelve (12) #8 x 5/8" wood screws, secure the end panel to the modesty panel. To aid in assembly, it is recommended to attach the "L" brackets to the modesty panel first by utilizing the pre-bored holes in the modesty panel. There should be no gaps between modesty panel and end panel. The end panel slightly overhangs the kick rail (Figure F).

Figure F



Example of a single pedestal desk/credenza



Proper product installation, in accordance with these instructions, is the responsibility of the installing agent. If you have any questions concerning these instructions, please call National Customer Care Teams.

9

To assemble a storage credenza, the first 4 steps apply except that no dowels will ever be placed in locations A-2, B-1, or B-2 and a kick rail will never be used.

10

To secure the double door pedestal (42" if using with a 72" worksurface, 36" if using with a 66" worksurface), firmly push the pedestal against the already secured pedestal and back against the modesty panel. While holding this pedestal in place, secure it to the worksurface and modesty panel in the same manner the first pedestal was secured. Repeat step to secure final pedestal and complete the assembly.

Example of a storage credenza

