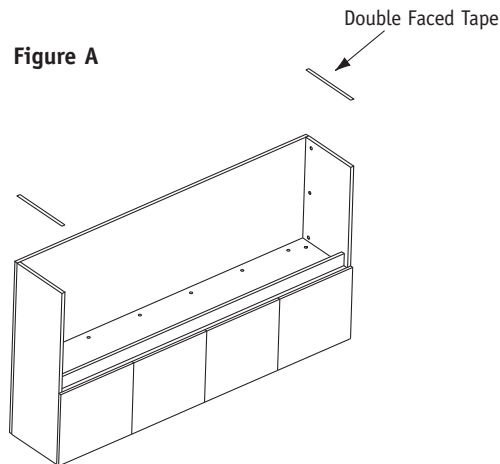


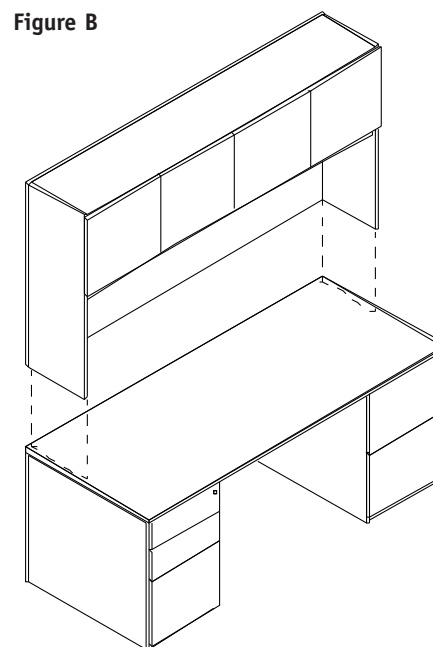
Highback Organizer

- 1** The highback organizer sits on top of a worksurface. It can be attached to the worksurface using the double faced tape provided.

- 2** Attach double faced tape to the bottom of the highback organizer's end panels. Do NOT remove the film backer to expose the adhesive (Figure A).



- 3** Position the highback organizer on top of the worksurface and mark its location. The unit should be positioned $5/64$ " from the side edges and $3/16$ " from the back edge of the worksurface. Remove the film backers from the tape. The worksurface must be clean, dry and free from dirt or film to assure adequate adhesion (Figure B).



NOTE: The tape is a very strong adhesive and bonds instantly to the surface it is applied to.

Package Contents

- Highback Organizer
- Double Faced Tape

NATIONAL

Furniture with Personality®

Telephone 800.482.1717

Fax 812.482.8800

www.nationalonline.com

Part #2034575

Proper product installation, in accordance with these instructions, is the responsibility of the installing agent. If you have any questions concerning these instructions, please call National Customer Care Teams.

© 2007 Kimball International, Inc.