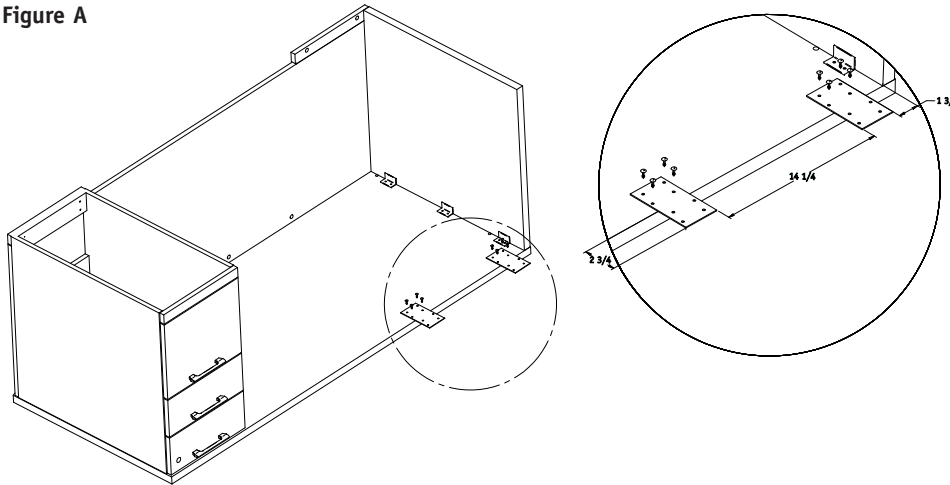


1

**Flat Bracket Installation:**

Install flat brackets on single pedestal desk as shown below (dimensions are not exact). Using a quantity of four (4) 3/16" x 5/8" screws per bracket, attach the brackets to the underside of the worksurface. If building a U-Unit, attach two (2) more brackets to the worksurface of the single pedestal credenza (Figure A).

Figure A



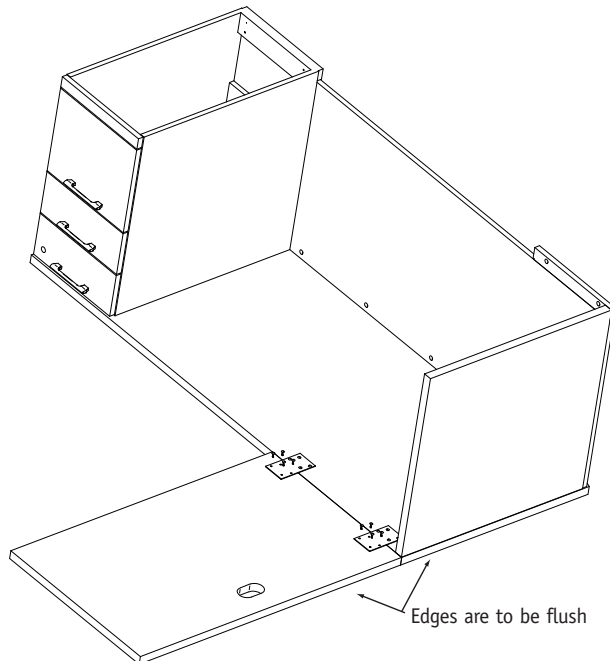
2

Bridge worksurface is to be held firmly against user edge of desk surface and flush with the side edge of the desk. Use four (4) 3/16" x 5/8" screws to attach each bracket to the bridge worksurface (Figure B).

**NOTE:** Unit shown upside down for best viewing angle. The bridge does not have to be installed in this manner.

**NOTE:** Proceed to Step 3 if building an L-Unit or to Step 5 if building a U-Unit.

Figure B



Proper product installation, in accordance with these instructions, is the responsibility of the installing agent. If you have any questions concerning these instructions, please call National Customer Care Teams.

Assembly Instructions

U-Unit and L-Unit Assembly

**Recommended Tools**

- Tape Measure
- Phillips Screwdriver

**Package Contents Qty.**

- 3/16" x 5/8" Screws (4 per Flat Bracket)
- Flat Brackets (2 per Desk/Credenza)

**L Unit**

- 3/16"x5/8" Screws 12
- 3/16"x1 1/4" Screws 14
- L-Brackets 3
- Grommet 1

**U Unit**

- 3/16" x 5/8" Screws 12
- 3/16" x 1 1/4" Screws 8
- L-Brackets 3
- Grommet 1

**NATIONAL**

Furniture with Personality®

Telephone 800.482.1717  
 Fax 812.482.8800  
 www.nationalonline.com

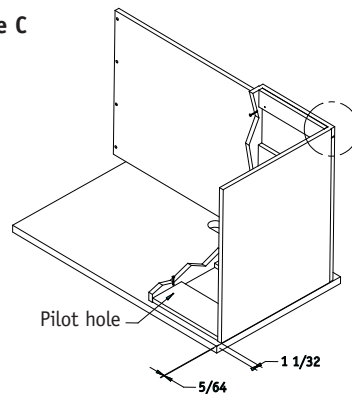
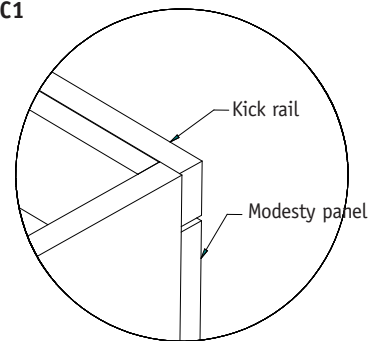
Part #2035581

**3****L-Unit Assembly:**

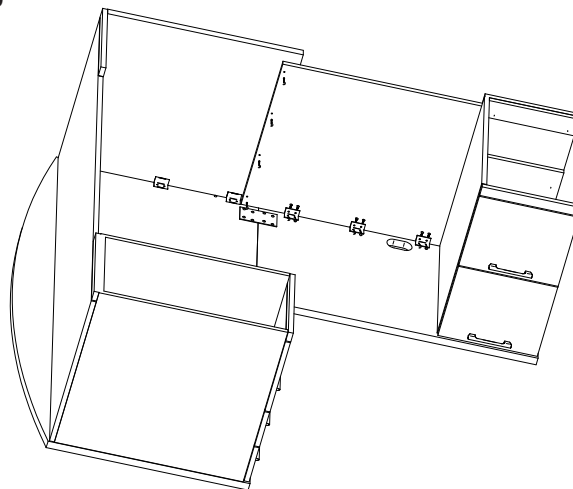
Remove drawer from desk pedestal. Place top of pedestal on underside of bridge worksurface. Locate the pedestal  $1\frac{1}{32}$ " from user edge of bridge worksurface to edge of pedestal end panel and  $\frac{5}{64}$ " from side of worksurface to side of pedestal. Use four (4)  $\frac{3}{16}$ " x  $1\frac{1}{4}$ " wood screws to secure pedestal to worksurface. There should be no gaps between pedestal and worksurface (Figure C).

Place outer edge of the modesty panel in the same plane with the outer edge of the kick rail. Using six (6)  $\frac{3}{16}$ " x  $1\frac{1}{4}$ " wood screws, secure the pedestal to the modesty panel. There should be no gaps between modesty panel and end panel (Figure C1).

**NOTE:** Drawer has been removed, bottom panel has been removed, and end panel has been cutout

**Figure C****Figure C1****4**

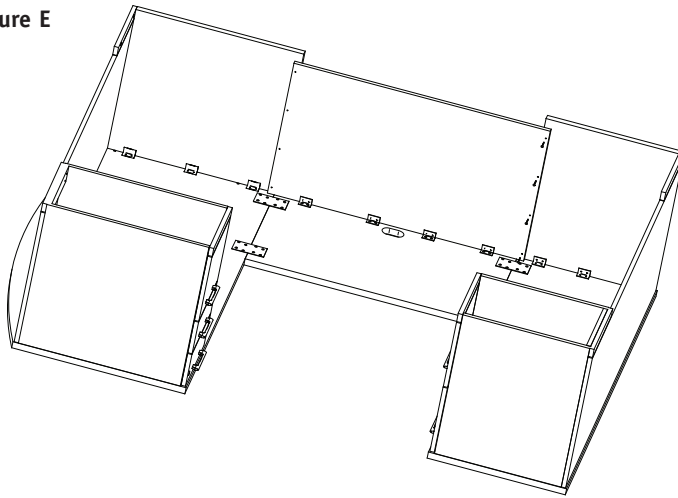
Once the modesty panel is attached to the pedestal, use four (4)  $\frac{3}{16}$ " x  $1\frac{1}{4}$ " screws to attach the modesty to the desk end panel. Attach three (3) L-brackets evenly across the modesty and bridge using sixteen (16)  $\frac{3}{16}$ " x  $\frac{5}{8}$ " screws, making sure there are no gaps between the modesty and the worksurface. The brackets are to be spaced evenly across the bridge surface and positioned in a way as to no interfere with grommet installation or use (Figure D).

**Figure D**

**5****U-Unit Assembly:**

Center modesty panel evenly across the bridge worksurface then attach to end panels of the desk and credenza using eight (8)  $3/16'' \times 1\ 1/4''$  screws. Place four (4) L-brackets evenly across the modesty and bridge and attach by using twelve (12)  $3/16'' \times 5/8''$  screws, making sure there are no gaps between the modesty and the worksurface. The brackets are to be spaced evenly across the bridge surface and positioned in a way as to no interfere with grommet installation or use (Figure E).

**NOTE:** Unit shown upside down for best viewing angle. The bridge does not have to be installed in this manner.

**Figure E****6**

Completed U-Unit and L-Unit assemblies (Figure E).

**Figure E**