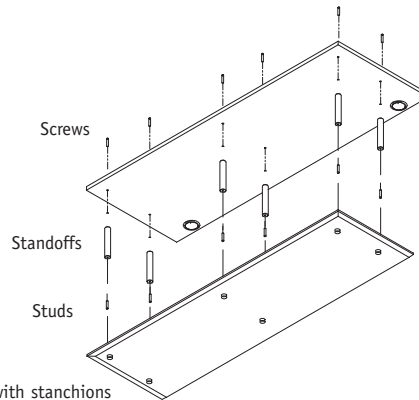


1

Place Glass shelf upside down on a clean smooth surface, with stanchions facing up. Position the shelf so the front edge is facing you. By hand thread in a Stud into each Stanchion. Thread each Standoffs on to the end of the Studs that is extending from the Stanchions. Align the wood shelf over the Standoffs with the front edge facing you. Align shelf holes with standoffs, fasten with provided 5/16" x 18 x 1 1/2" machine screws (Figure A).

Figure A



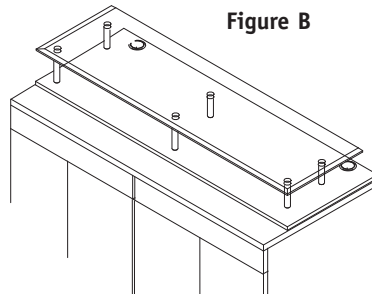
Glass shelf with stanchions

2

Media Shelf Set on

Remove grommets from Media Credenza. Apply 6 felt pads to the bottom of the Shelf. Place Media Shelf on Media Credenza worksurface aligning the grommet cut outs of each unit. Place grommets in the Media Shelf (Figure B).

Figure B

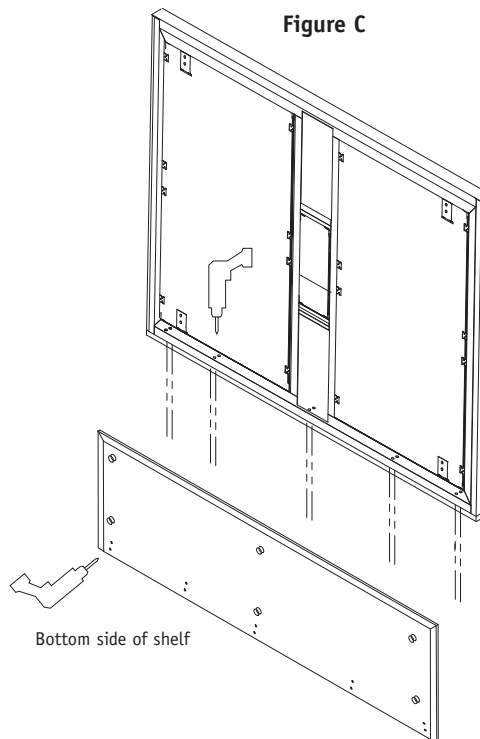


3

Media Shelf Attachment To Media Wall

Locate the (10) ten pre-bored holes on the bottom of the Media Shelf. Using a hand with a 1/4" drill bit bore the rest of the way through the Media Shelf. Next bore through the wood rail on the Media wall. Use the holes in the bottom of the Media Wall as a guide (Figure C).

Figure C



Bottom side of shelf

Conference and Training Solutions Media Shelf

Recommended Tools

- Hand Drill with 1/4" bit
- 7/16" wrench

Package Contents Qty.

- 5/16" x 18 x 1 1/2" Machine Screws 6
- 4" x 1 1/4" x 20 Hex head Bolts 10
- 1/4" x 20 Hex head Nuts 10
- 1 1/4" Fender Washer 10
- 9/16" Flat Washer 15
- Felt Pads 6

NATIONAL Furniture with Personality™

Telephone 800.482.1717
 Fax 812.482.8800
 www.nationalofficefurniture.com

Part #2142904
 Rev,A

Printed in U.S.A
 © 2009 Kimball International, Inc.

Proper product installation, in accordance with these instructions, is the responsibility of the installing agent. If you have any questions concerning these instructions, please call National Customer Service.

Assembly Instruction

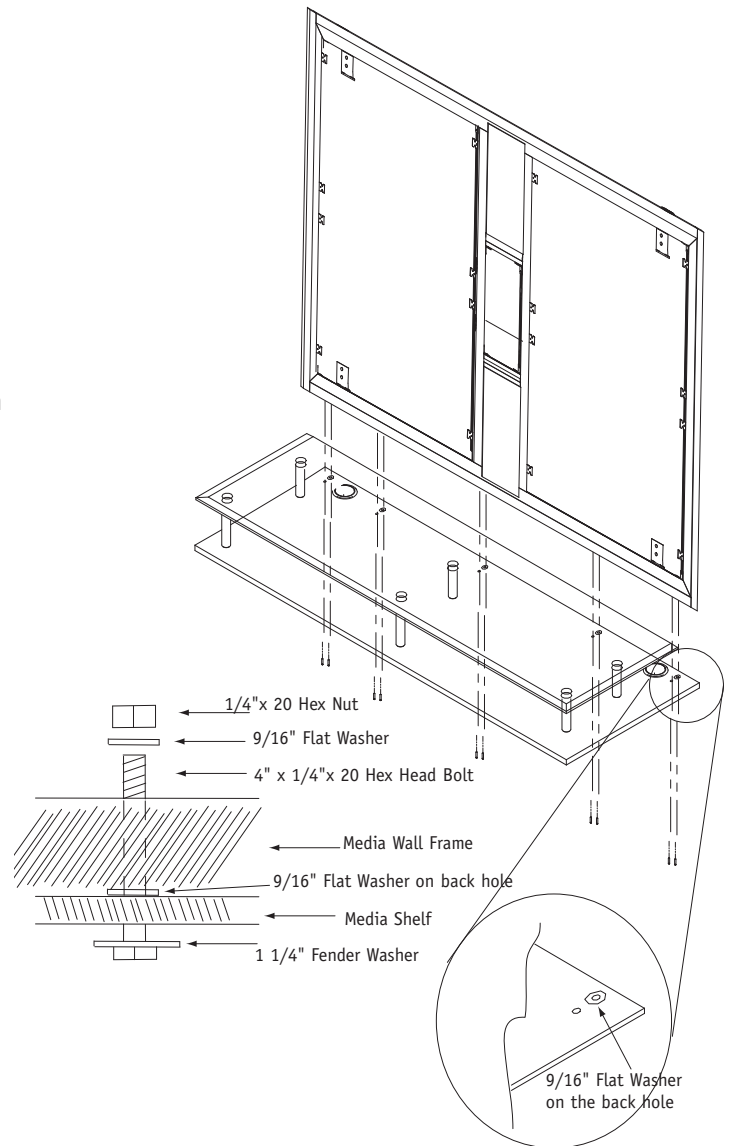
Conference and Training Solutions Media Shelf

Media Shelf mounted to Media Wall

Note: It is recommend that more than one person be used to mount the Media Shelf to the Media Wall. Remove grommets from Media Shelf. Place (5) five 9/16" Flat washers over the back holes, (1) one per hole (Figure D).

Note: Tape can be used to hold washers in place until the bolts are inserted. Thread (1) one 1 1/4" Fender washer over each bolt. Center Media Shelf along the underside of the Media Wall. Attach to the underside with ten (10) 4"-1/4" x 20 Hex Head bolts, ten (10) 9/16" Flat washers, and ten (10) 1/4" x 20 Hex Nut, as shown in (Figure D).

Figure D



NOTE: The Media Shelf is considered a display shelf and should not be loaded in excess of what the unit allows. Reference chart below for Maximum load on shelf.

Size Maximum Distributed Load

48" Shelf	72lb
60" Shelf	90lb
72" Shelf	108lb

Proper product installation, in accordance with these instructions, is the responsibility of the installing agent. If you have any questions concerning these instructions, please call National Customer Service.