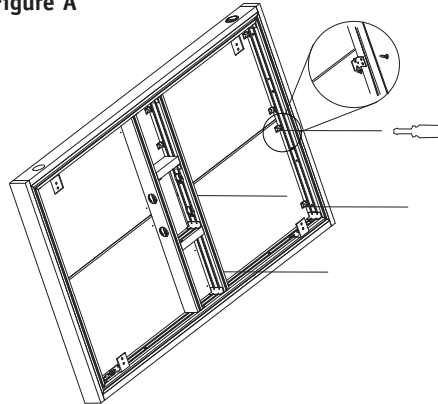


**NOTE:** National defines a structural wall as a load-bearing wall constructed of materials such as: poured concrete, concrete block, or studs. Wood studs must be a nominal 2" x 4" size minimum. Metal studs must be "C" channel, 20-gauge thick minimum. Metal or wood studs must be on centers no greater than 24" and have maximum height of 14' restrained at floor and ceiling. Interior walls shall be designed to resist not less than a force of 5 lbs. per square foot applied perpendicular to wall. The deflection of such wall under a load of 5 lbs. per square foot shall not exceed 1/240 of the span for walls with brittle finishes, and 1/120 of the span for walls with flexible finishes (per Uniform Building Code Section 2390b). If you have any questions concerning your load-bearing structures, please consult your architect or structural engineer.

**1**

Using a Phillips Head Screwdriver, slightly back out the bottom screws on the back side of the front panels. Remove the top screws (Figure A). The bottom screws are needed to rehang the panels onto the Media Wall frame in a later step. Remove all (4) four panels from the frame and sit aside.

Figure A



**2**

**NOTE:** It is recommended (2) two or more individual install the Media Wall.

Locate the Media wall in desired location on a structural wall. With a level on the top of the Media Wall, mark the underside of the top extrusion, with a pencil. Mark the top side of the lower extrusion with a pencil. Between the (2) two marks, locate and mark the wall studs centers (Figure B).

Figure B

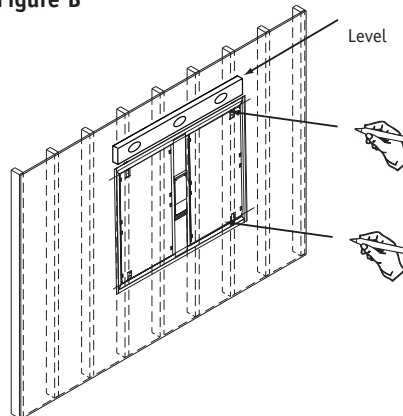
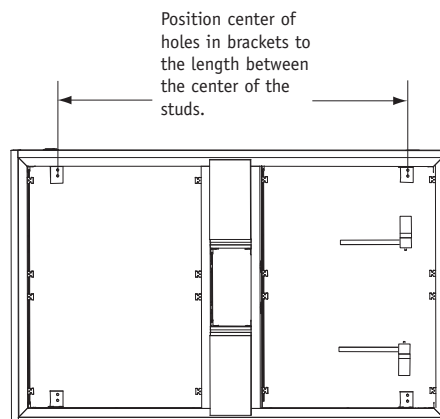


Figure C

**3**

Using a 9/16" socket, loosen the bolts holding the Media Wall mounting brackets. Slide the brackets to match the length between the centers of the studs to that of the center of the holes in the brackets (Figure C). Once in place tighten bolts.



## Conference and Training Solutions Media Wall Mounting

### Recommended Tools

- Level
- Tape Measure or Ruler
- Power Drill with 1/8" Bit
- 9/16" Socket with Driver
- 7/16" Socket with Driver
- Phillips Head screwdriver
- Pencil
- 7/32" Hex Wrench
- 3/16" Hex Wrench
- 5/32" Hex Wrench
- Stud Finder

### Package Contents Qty.

Package Contents	Qty.
<b>Media Wall</b>	
• #8 x 2 1/4" Panhead Screws	4
• 5/16"-18 x 1/2" Glides	6

**NATIONAL** Furniture with Personality™

Telephone 800.482.1717  
Fax 812.482.8800  
www.nationalofficefurniture.com

Part #2141527  
Rev,-

Printed in U.S.A  
© 2008 Kimball International, Inc.

Proper product installation, in accordance with these instructions, is the responsibility of the installing agent. If you have any questions concerning these instructions, please call National Customer Service.

## Assembly Instructions

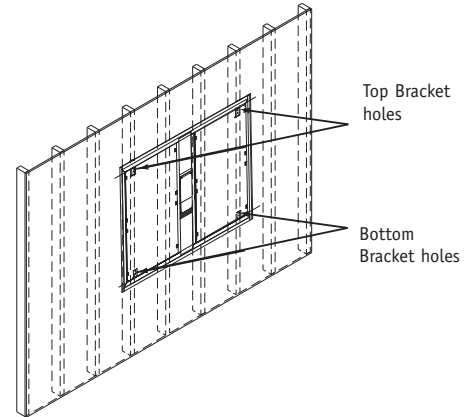
### Media Wall Mounting

4

Align and install (2) two bolts with washers (see recommended fastener list) in the top Media Wall mounting brackets. Align and install (2) two bolts with washers in the bottom Media Wall mounting brackets (Figure D).

**NOTE:** It is the responsibility of the installer and/or the contractor to select and install the proper fasteners in the structural wall. National does not Furnish fasteners or assume liability for their use.

Figure D



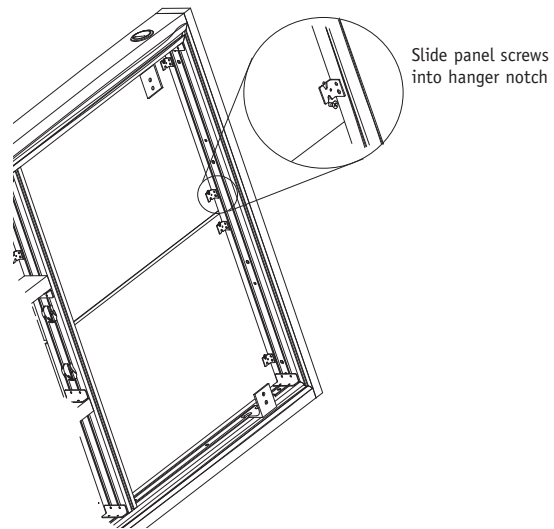
Recommended Fastener	Size	Model No.
Steel Stud: (for 1/2" to 3/4" drywall) Hilti Toggler anchor toggle bolt	1/4"-20 x 2" Grade 5, Grade 5 equivalent or greater bold with a maximum head height of .134"	374494
Wood Stud: (for 1/4" to 1/2" drywall; meets or exceeds ANSI/ASME B18.6.4 and SAE J933): Panhead sheet metal screw		10-2 PHPMS
Solid Masonry: Crown Bolt lag shields Buildex Tapcon concrete anchor screw	1/4" x 1 1/2" 1/4" x 2 3/4"	
Masonry Block: Hilti Toggler anchor toggle bolt Crown Bolt lag shields Buildex Tapcon concrete anchor screw	1/4"-20 x 2" Grade 5, Grade 5 equivalent or greater bold with a maximum head height of .134" 1/4" x 1 1/2" 1/4" x 2 3/4"	374494 24385

## Assembly Instructions

### Media Wall Mounting

- 5 Install the front panels on the Media Wall by aligning the screws in the panels with the grooves of the panel hanger bracket (Figure E).

Figure E



## Assembly Instructions

### Media Wall Mounting

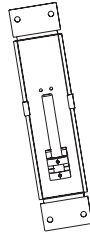
# Large Swing Mount Assembly and Installation

## Parts

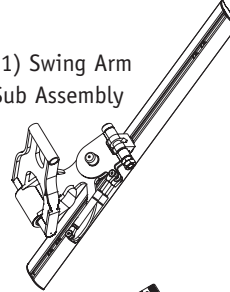
3/8"- 24 x 5/8" Socket Button Head Cap Screws    1/4" -28 x 1/2" Socket Head Cap Screws    1" O.D. Steel Washer    Fastener Kit



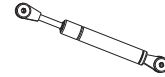
(1) Vertical Base Sub Assembly



(1) Swing Arm Sub Assembly



(1) Gas Shock



(1) Upper Swing Knuckle



(2) Vertical Panel Rails



(4) Wall Hooks



### Package Contents

#### Large Swing

- (12) 3/8"- 24 x 5/8" Socket Button Head Cap Screws
- (2) 1/4" -28 x 1/2" Socket Head Cap Screws
- (1) 1" O.D. Steel Washer
- (1) Vertical Base Sub Assembly
- (2) Horizontal Wall Tracks
- (1) Swing Arm Sub Assembly
- (2) Vertical Panel Rails
- (4) Wall Hooks
- (1) Gas Shock
- (1) Upper Swing Knuckle

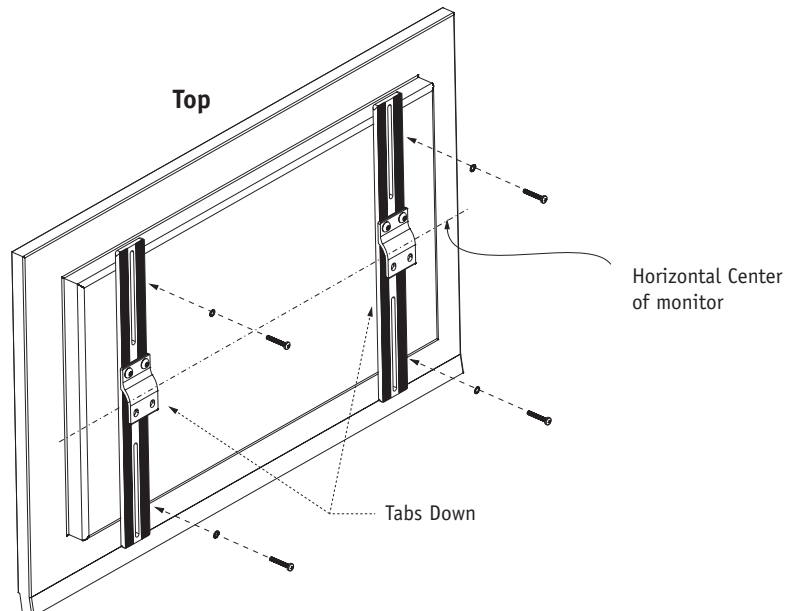
**Note:** The Vertical Base Sub Assembly will be attached to the Media Wall at shipment. For interpretation it will be shown un-attached to the Media Wall in these Instructions.

# 1

### Install Vertical Display Rails

Select the most appropriate hardware for your Flat Panel from the fastener kit. Apply both vertical display rails to the rear of the Flat Panel, making sure that the affixed tabs are facing down as shown in (Figure F). **Note:** Vertical panel rails should be equally spaced up and down.

Figure F



## Assembly Instructions

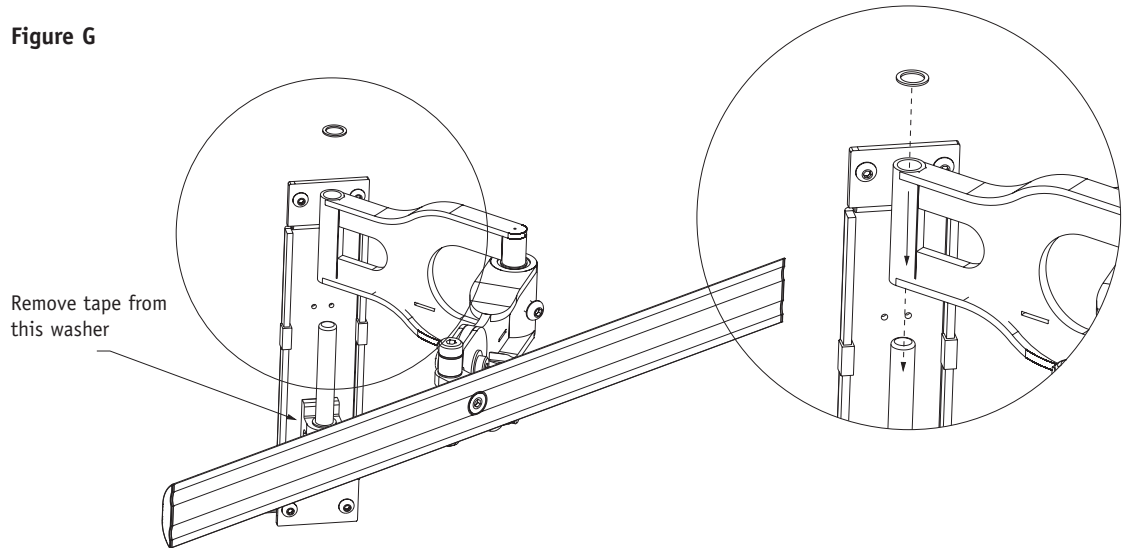
### Media Wall Mounting

2

#### Attaching the Swing Arm Sub Assembly

Remove the tape from the washer as shown in (Figure G). Slide the Swing Arm Sub Assembly onto the exposed shaft until it rests on the aforementioned washer. Slide the loose 1" O.D. washer onto the shaft, as shown in (Figure G).

Figure G

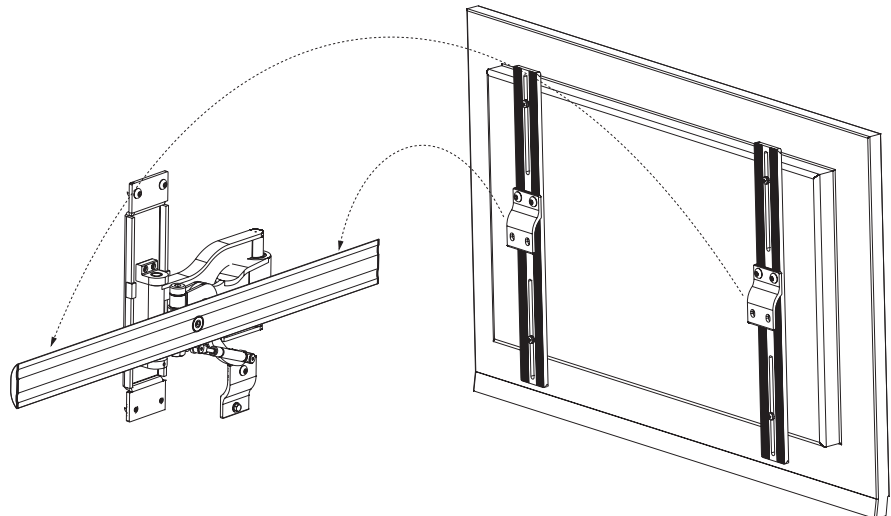


3

#### Hang the Panel

Lift the Flat Panel and hood the vertical panel rails over the horizontal track on the swing arm sub Assembly as shown in (Figure H), equally spaced.

Figure H



## Assembly Instructions

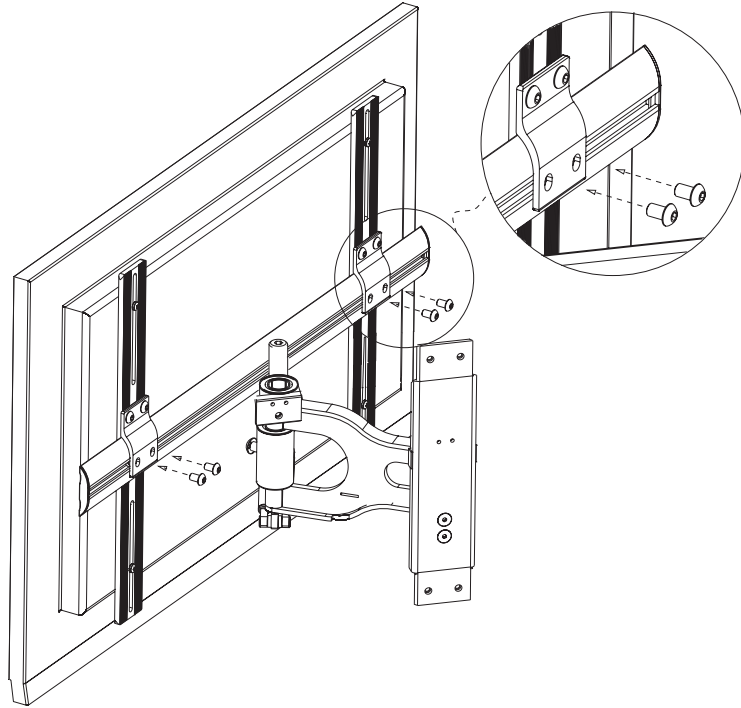
### Media Wall Mounting

4

#### Secure the Display

Using the provided 7/32" hex wrench, fasten four (4) 3/8"-24 x 5/8" socket screws into the pocketed 3/8" hex nuts, as shown in (Figure I). **Note:** Make sure all four (4) screws are securely fastened.

Figure I

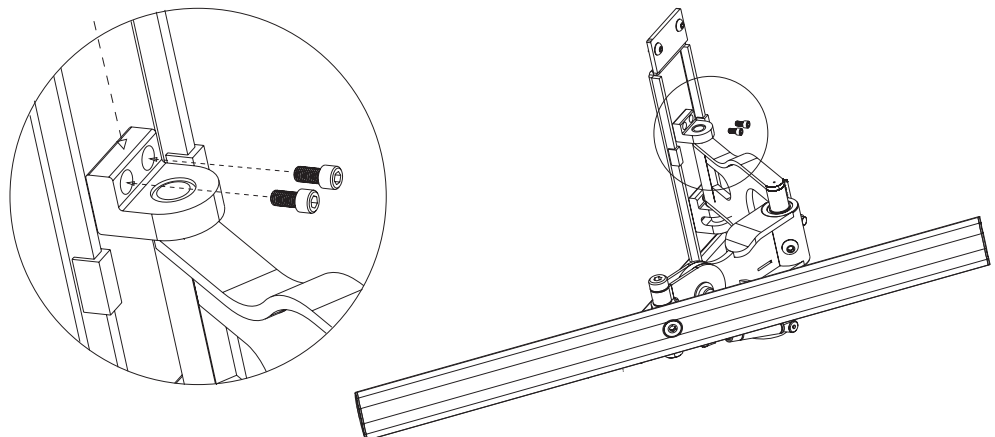


5

#### Finishing the Swing Arm

Slide the upper swing knuckle over the vertical base shaft as shown in (Figure J). Fasten two (2) 1/4"-28 x 1/2" socket head cap screw through the upper swing knuckle and onto the main vertical base.

Figure J



## Assembly Instructions

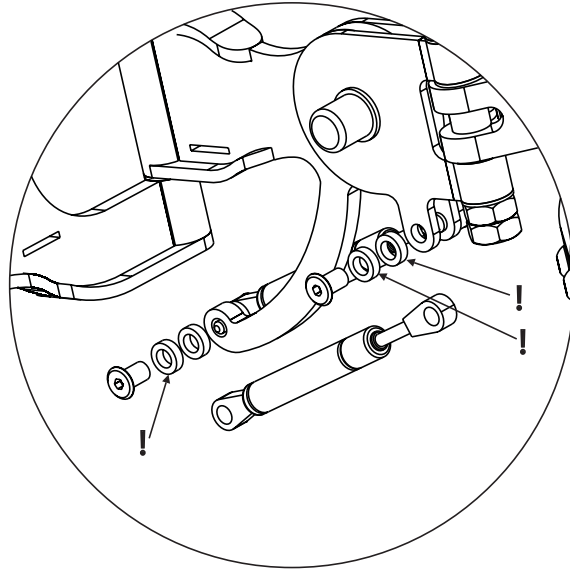
### Media Wall Mounting

**6**

#### For panels over 90 LBS

Use a 5mm hex wrench, to remove two (2) flange screws as shown in (Figure K). Remove all three (3) noted Nylon washers, replace washer with Gas Shock. Reinstall flange screws.

Figure K

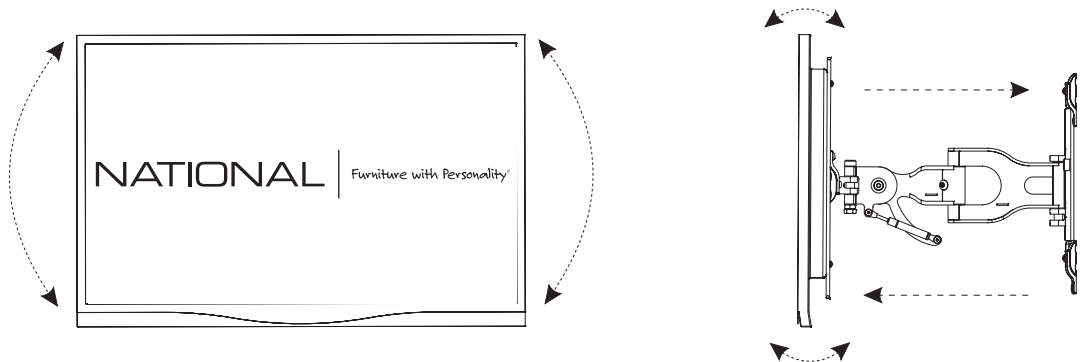


**7**

#### Display Adjustments

Adjust the flat panel unit by grasping the outer frame of the display and positioning it to suit your viewing angle.

Figure L



Proper product installation, in accordance with these instructions, is the responsibility of the installing agent.  
If you have any questions concerning these instructions, please call National Customer Care Teams.

# Assembly Instructions

## Media Wall Mounting

# Large Tilt Mount Assembly and Installation

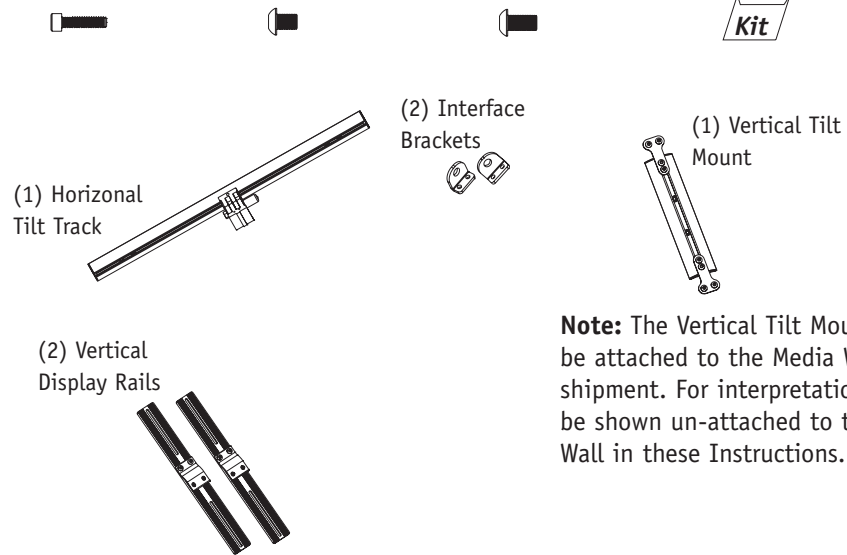
## Parts

### Package Contents

#### Large Tilt

- (6) 3/8"- 24 x 1/2" Socket Button Head Cap Screws
- (4) #10-28 x 3/8" Socket Head Cap Screws
- (8) 3/8"-24 x 5/8" Socket Button Head Cap Screws
- (1) Bag Misc. Mounting Hardware
- (2) Interface Brackets
- (1) Horizontal Tilt Tracks
- (2) Vertical Display Rails
- (1) Vertical Display Rails

- #10-24 x 3/8" Socket Head Cap Screws
- 3/8"- 24 x 1/2" Socket Button Head Cap Screws
- 3/8"- 24 x 5/8" Socket Button Head Cap Screws
- Fastener Kit



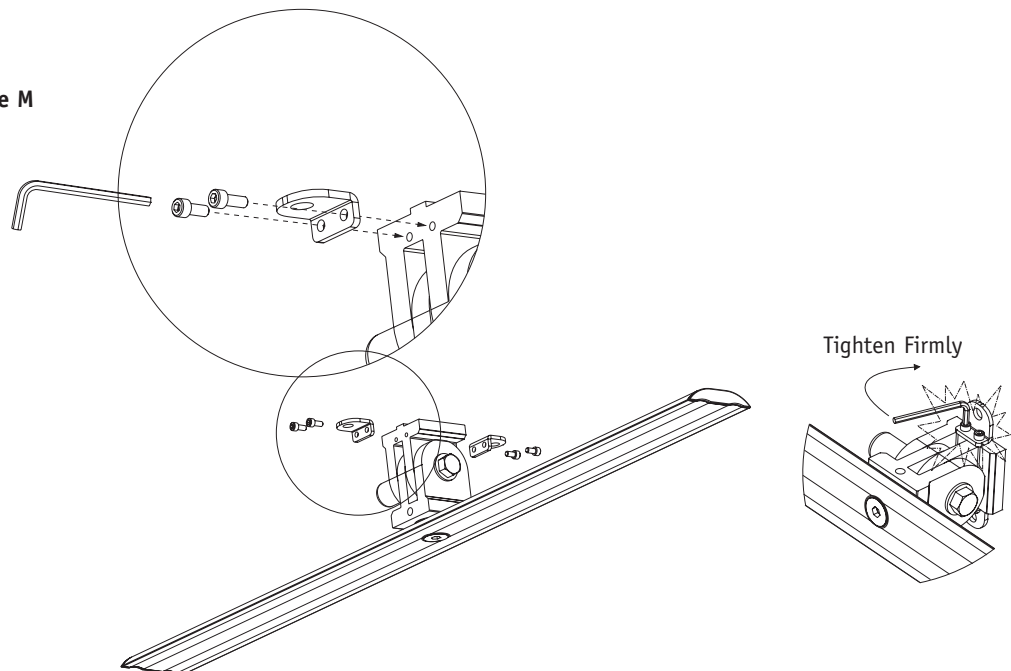
**Note:** The Vertical Tilt Mount will be attached to the Media Wall at shipment. For interpretation it will be shown un-attached to the Media Wall in these Instructions.

# 1

## Prepare Tilt

Using Four (4) #10-24 x 3/8" cap screws, attach the two (2) interface brackets to the base knuckle of the Horizontal Tilt Track. Tighten with a 5/32" Hex Wrench (Figure M).

Figure M



## Assembly Instructions

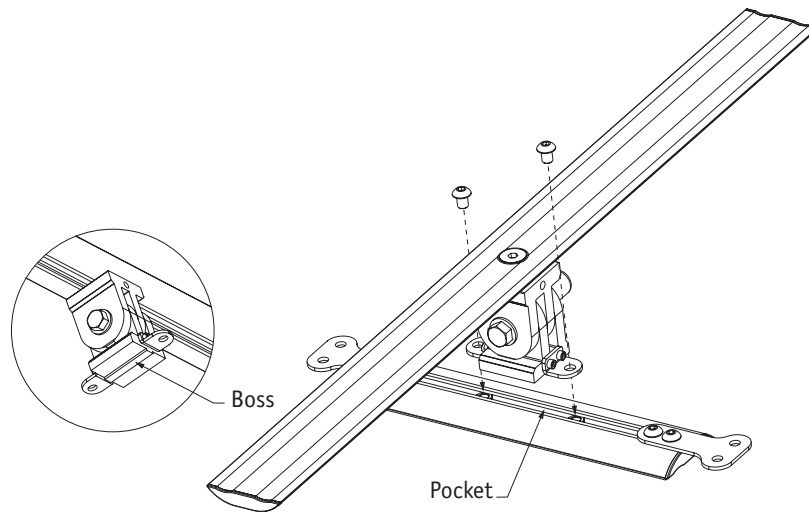
### Media Wall Mounting

2

#### Assemble the Tilt Sub Assembly

Use a 7/32" Hex Wrench to thread two (2) 3/8"-24 c 1/2" Socket Button Head Cap Screws through the installed Interface Brackets and into the Hex nuts pocketed inside the Vertical Tilt Track. Insure the Boss on the Knuckle is aligned and seated in the Pocket. Center and Tighten (Figure N).

Figure N

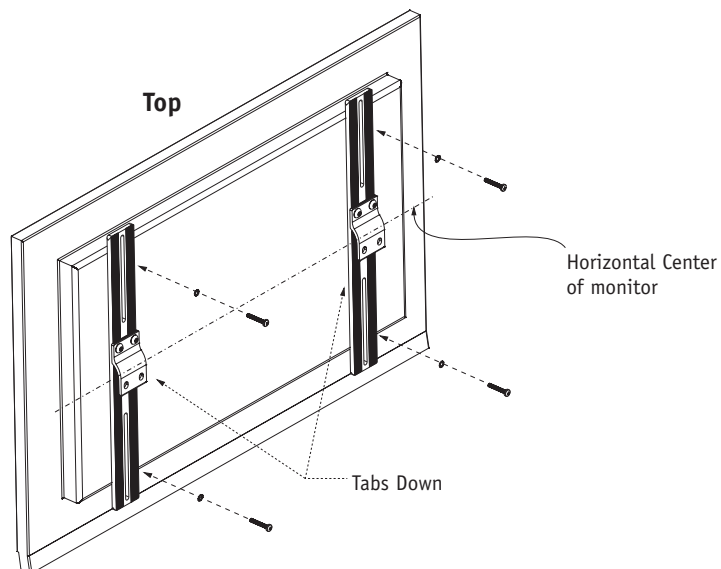


3

#### Install Vertical Display Rails

Select the most appropriate hardware for your Flat Panel from the fastener kit. Apply both vertical display rails to the rear of the Flat Panel, making sure that the affixed taps are facing down as shown in (Figure F). **Note:** Vertical panel rails should be equally spaced and down.

Figure O



## Assembly Instructions

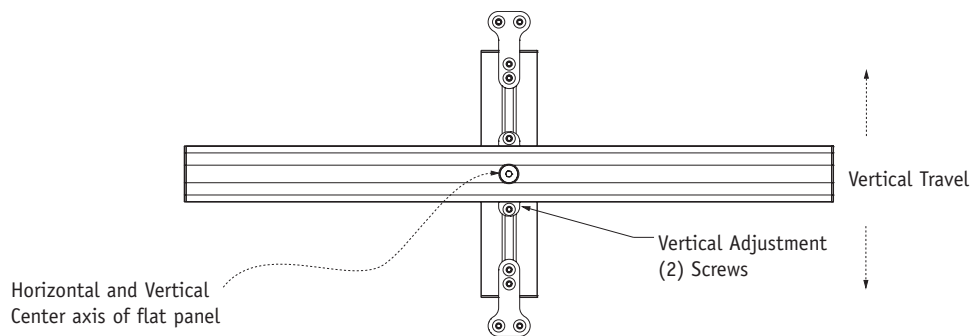
### Media Wall Mounting

#### 4

#### Pre-Panel Hanging Adjustments

Some Adjustments may be made before hanging the panel Sub Assembly onto the tilt mount. A vertical adjustment may be made by loosening the two (2) screws indicated (Figure A) and raising or lowering the Horizontal track 5 1/2 inches of travel. Make sure all screws are securely tightened before continuing to the next step, reference (Figure P).

Figure P

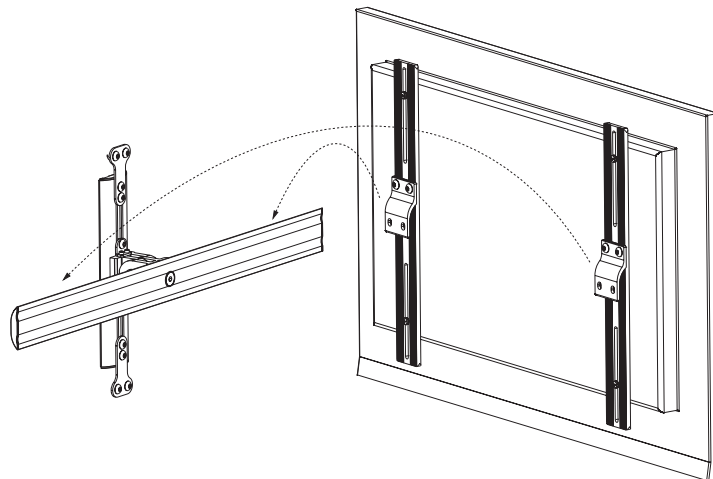


#### 5

#### Hang the Panel

Before Lifting the Panel, insure the hooks on the Vertical Display Rails are pointed downward as shown in (Figure Q). Hook the panel Sub Assembly over the Horizontal Bar and center on the Horizontal Tilt Track.

Figure Q



## Assembly Instructions

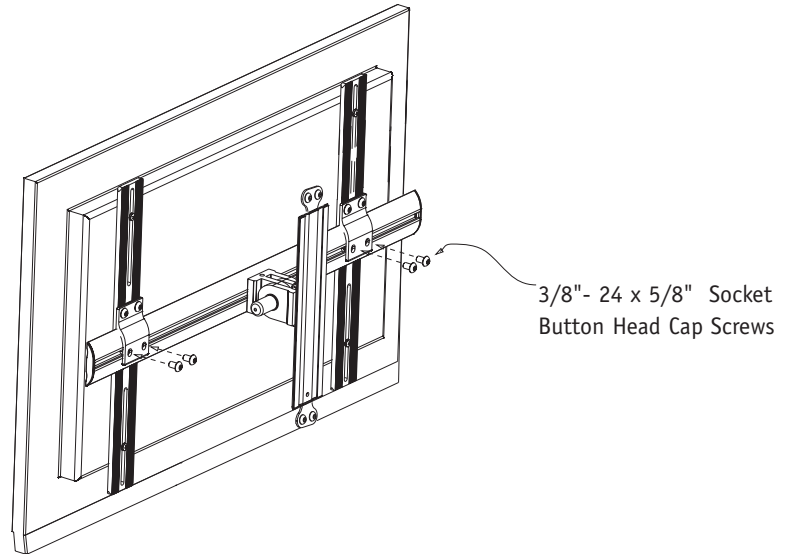
### Media Wall Mounting

6

#### Secure the Panel

Use a  $7/32$ " Hex Wrench, install four (4)  $3/8$ "-24 x  $5/8$ " Socket Button Head Cap Screws through Hooks and into Pocketed  $3/8$ "-24 Hex Nuts, secure tightly (Figure R).

Figure R

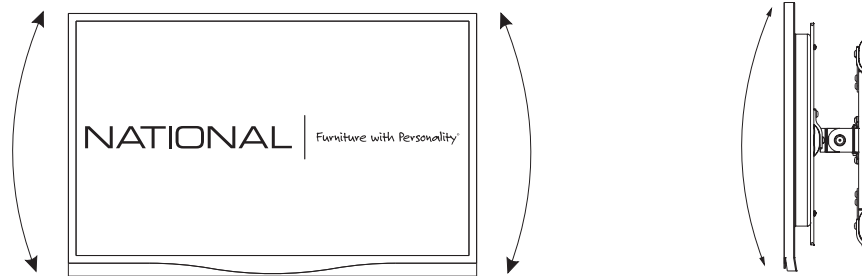


7

#### Level and Tilt the Display

Level the Panel by grasping each side and adjusting. Tilt the Panel by grasping the Top and Bottom and adjusting (Figure U).

Figure U



Proper product installation, in accordance with these instructions, is the responsibility of the installing agent. If you have any questions concerning these instructions, please call National Customer Care Teams.