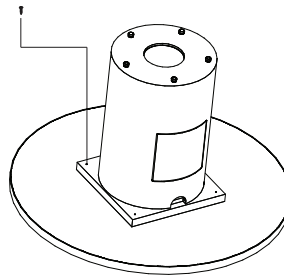


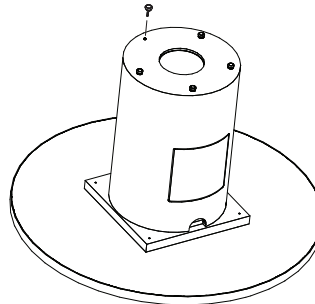
**1**

Mount the Cylinder Base to the underside of the top. Measure in from four (4) points on the underside of the table to find the center point. Attach base with the four (4) #8 x 2 1/4" PH screws ---provided through each hole in flange (Figure A). Tighten screws firmly, but do not over-tighten.



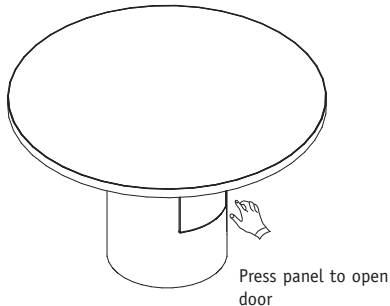
**2**

Locate hardware bag and install glides. (Figure B). Carefully turn the unit upright. Adjust glides as necessary to level unit, check with a level.



**3**

To open wire management door on side of Cylinder, press in on the panel to engage the touch latch (Figure C).



## Conference and Training Solutions Cylinder Base Square Base

### Recommended Tools

- Allen Wrench
- Tape Measure or Ruler
- Scissors or Utility Knife

### Package Contents Qty.

<b>Cylinder Base</b>	
• #8 x 2 1/4" Panhead Screws	4
• 5/16"-18 x 1/2" Glides	6

### Square Base

• #8 x 1 1/4" Panhead Screws	12
------------------------------	----

**NATIONAL** | Furniture with Personality™

Telephone 800.482.1717  
Fax 812.482.8800  
www.nationalofficefurniture.com

Part #2106942  
Rev, A-

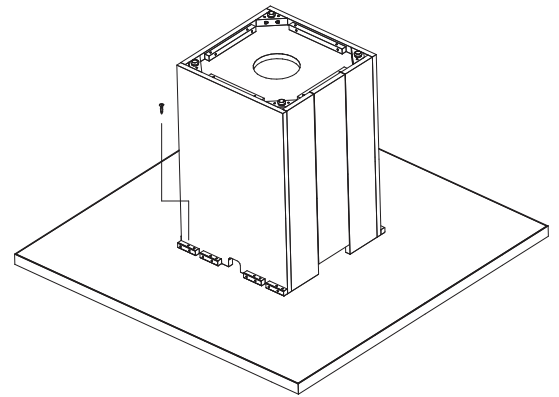
Printed in U.S.A  
© 2009 Kimball International, Inc.

## Assembly Instructions

### Cylinder Base Square Base

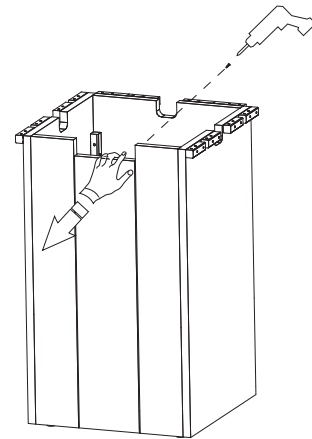
- 4** Mount the Square Base to the underside of the top. Measure in from four (4) points on the underside of the table to find the center point. Attach base with the (12) #8 x 1 1/4" PH screws provided. Tighten screws firmly, but do not over-tighten. (Figure D).

Figure D



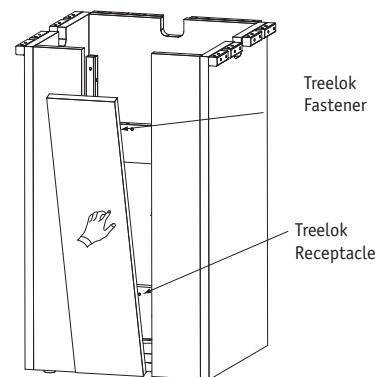
- 5** To remove the access panel, first remove the shipping screw, with a phillips head screw driver. Then grab at the top and pull (Figure E).

Figure E



- 6** To re-install access panel, align the treelok fasteners on the access panel to the receptacles on the wood support. Push in to engage (Figure F).

Figure F



Press panel to close

**Note:** Glides are pre-installed on Square base. Adjust glides as necessary to level unit. Check with a level.

# Assembly Instructions

Cylinder Base  
Square Base

**6**

Reference the Base Placement Chart for multiple base applications.

**Base Placement Chart**

Table Length	A	B	Cylinders, Square, Queen Anne, Thick Panel	Thin panel, Curved, Metal Bases
72	18	NA		
84	18	NA		
96	18	NA		
120	24	60		
144	24	72		
168	24	64		
192	24	72 1/16		
216 (4Base)	24	28		
240 (4Base)	24	32		
216 (5Base)	24	66		
240 (5Base)	24	72		

Proper product installation, in accordance with these instructions, is the responsibility of the installing agent. If you have any questions concerning these instructions, please call Kimball Customer Care Teams.