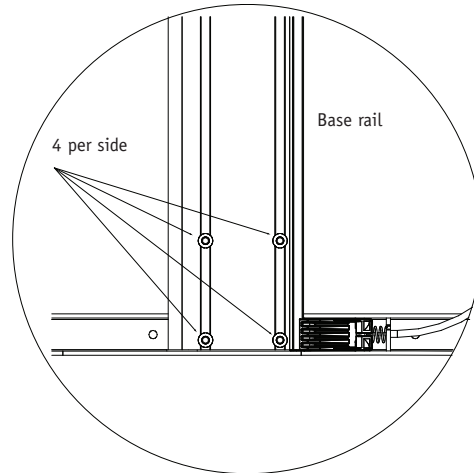


1

Place the work surface upside down on a smooth, clean surface. Remove the 4 screws in the 4 nuts per side, that are located in the base rail grooves (Figure A).

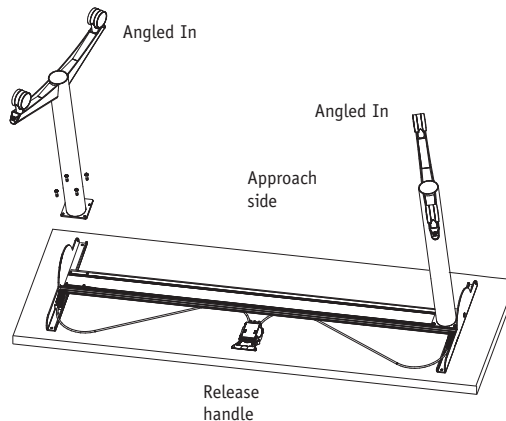
Figure A



2

Align the table leg so that the legs are angled inwards on the approach side of the table, opposite the release handle. Place the table leg on the base rail, align the legs mounting plate holes with the base rails nuts. Install and tighten the 4 screws per leg into the nuts (Figure B).

Figure B



**NOTE:** Angling the legs allows proper nesting of the tables.

3

Flip the table to the user position.

Assembly Instructions

## Myriad™ Training Table Leg Attachment

### Recommended Tools

- Hex Head screwdriver

### Package Contents

	Qty.
• Table Assembly	1
• Legs	2

NATIONAL Furniture with Personality

Telephone 800.482.1717  
 Fax 812.482.8800  
 www.nationalonline.com

Part #2126815  
 Rev , -

Printed in U.S.A  
 © 2008 Kimball International, Inc.

Proper product installation, in accordance with these instructions, is the responsibility of the installing agent. If you have any questions concerning these instructions, please call National Customer Service.