

**Note:** This instruction covers the basic assembly of the Barrington 5000 series bridge, bookcase and cornice with and without center storage.

1

Place two (2) lateral files in desired location, spacing them 32 3/16" apart. Level the units using their adjustable glides. Level front-to-back (Figure A) and side-to-side (Figure B).

**NOTE:** Lateral Files must be leveled with floor to insure proper alignment of bookcases and corner unit.

Figure A

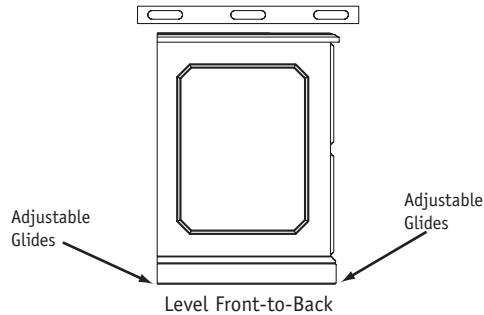
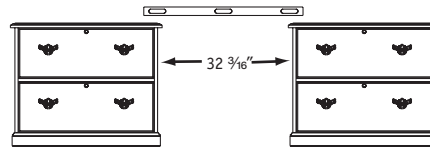


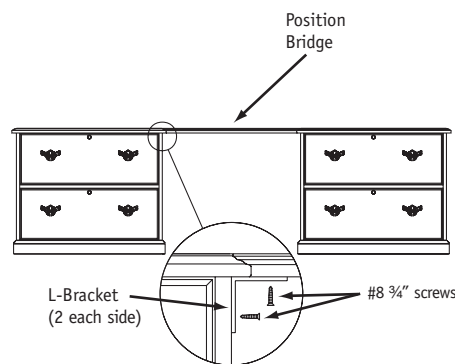
Figure B



2

Position bridge on top rims of lateral files. If necessary, reposition lateral files so that bridge fits snug and there are no gaps. Bridge can be installed flush with front or rear of lateral files using two (2) L-brackets on each side. Attach each L-bracket underneath the bridge with two (2) #8 x 3/4" screws provided (Figure C).

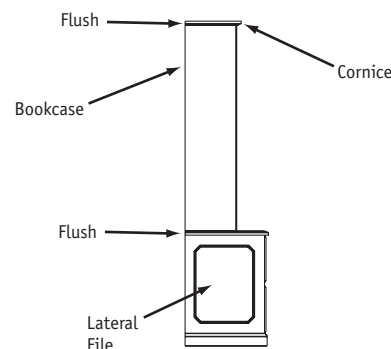
Figure C



3

To assemble bookcases with cornice assembly but WITHOUT center storage: place bookcases on lateral files. Flush bookcases with back of lateral files (Figure D). space bookcases 32 1/2" apart, allowing equal margin on lateral files at both ends (approx. 1/8").

Figure D



Assembly Instructions

## Barrington 5000 Series Bridge, Bookcase, and Cornice Assembly

### Recommended Tools

- Tape Measure
- Level
- Screwdriver

### Package Contents

	Qty.
• Lateral File	per order
• Bridge Unit	per order
• Bookcase Unit	per order
• Center Storage Unit	per order
• Cornice Assembly	per order
• L-Brackets	4 per bridge
• L-Brackets	4 per center unit
• #8 x 3/4" screws	per order
• #8 x 5/8" screws	per order
• #8 x 1" screws	per order
• #8 x 1 1/4" screws	per order

NATIONAL

Furniture with Personality<sup>®</sup>

Telephone 800.482.1717  
 Fax 812.482.8800  
 www.nationalonline.com

Form #NAIBAR  
 #1699232

Printed in U.S.A  
 © 2004 Kimball International, Inc.

Proper product installation, in accordance with these instructions, is the responsibility of the installing agent. If you have any questions concerning these instructions, please call National Customer Service.

**Barrington 5000 Series  
Bridge, Bookcase,  
and Cornice Assembly**

**4** Position cornice on bookcases. Flush back edge and allow for equal overhang at both ends (approx. 1/8"). Each bookcase has six (6) pre-bored holes in its top for attaching the cornice. Insert a provided #8 x 1 1/4" screw into each pre-bored hole to attach the cornice to each bookcase (Figure E).

**5** To assemble bookcases with cornice assembly WITH center storage: follow Step 3 to position bookcases on lateral files.

**6** Place cornice assembly upside down on a smooth, hard surface. Invert center storage unit and place on cornice assembly, flush with the back and centered side-to-side. The top of the center storage unit has four (4) pre-bored holes. Insert a provided #8 x 1" screw into each pre-bored hole to attach the cornice to the center storage unit (Figure F).

**7** Turn the cornice/storage assembly upright. Carefully lift the assembly and slide the center storage unit between the bookcases, letting the cornice rest on the bookcases. If necessary, reposition all components to fit snugly with no gaps. Flush back edge of cornice and center storage with back edge of bookcases. Each bookcase has six (6) pre-bored holes in its top for attaching the cornice. Insert a provided #8 x 1 1/4" screw into each pre-bored hole to attach the cornice to each bookcase. There are four (4) pre-bored holes in the sides of the center storage. Insert a provided #8 x 1" screw into each pre-bored hole to attach the center storage to the bookcases. Attach the bottom of the center storage to the bookcases using two (2) L-brackets on each side. Attach each L-bracket underneath the center storage with two (2) #8 x 5/8" screws provided (Figure G).

Figure E

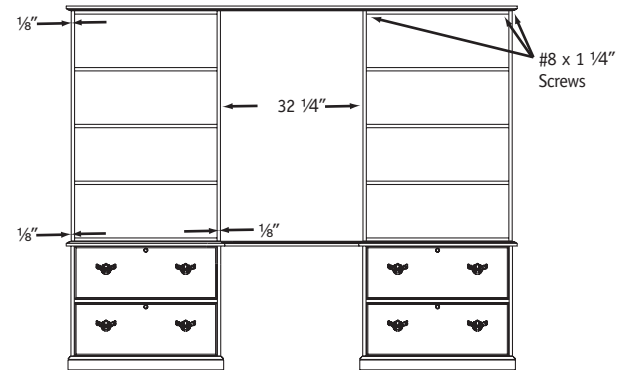


Figure F

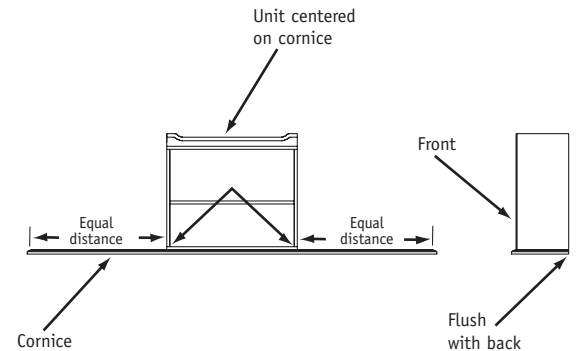


Figure G

