

Captivate™ Series Fin-Shaped Unit (with and without modesty panel)

Recommended Tools

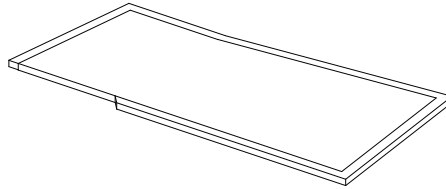
- Screwdriver
- Level

Package Contents	Qty.
• Fin-Shaped Worksurface	1
• End Panel	1
• Support Panel (if no modesty panel)	1
• Modesty Panel (if needed)	1
• T-Bracket (if no modesty panel)	1
• Leg Collar (if needed)	1
• #8 x 5/8" Panhead Screws	44
• #8 x 5/8" Flathead Screws	2

1

Carefully uncarton and place fin-shaped worksurface face down on a smooth, clean, soft surface (Figure A).

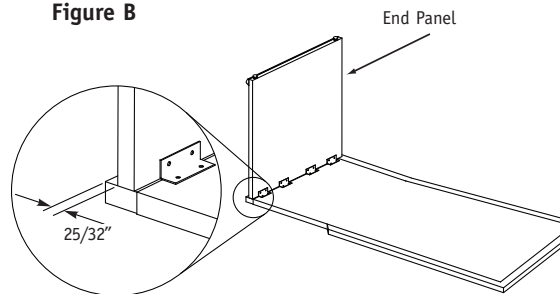
Figure A



2

Place end panel 25/32" from edge of worksurface rim. Attach end panel to worksurface by inserting provided screws through brackets into panel and into worksurface (Figure B).

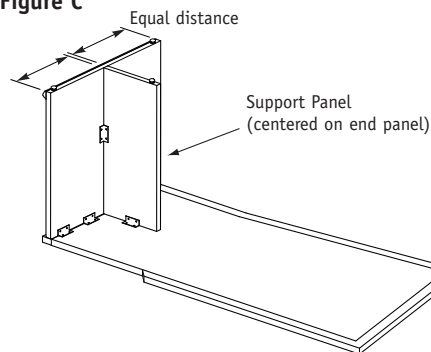
Figure B



3

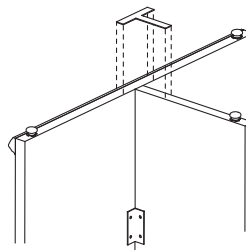
If unit will not have a modesty panel, attach support panel to worksurface and end panel by inserting provided screws through brackets on support panel into worksurface and end panel. Tighten all screws securely (Figure C).

Figure C



Attach T-bracket to intersection of end panel and support panel using screws provided (Figure D).

Figure D



NOTE: If unit DOES HAVE modesty panel, skip to step 4.

NATIONAL

Furniture with Personality®

Telephone 800.482.1717
Fax 812.482.8800
www.nationalonline.com

Part #2040767

Printed in U.S.A.
© 2007 Kimball International, Inc.

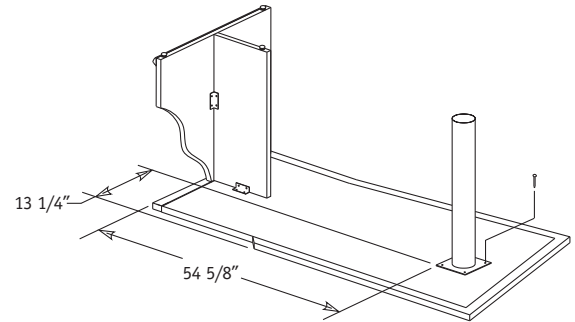
Proper product installation, in accordance with these instructions, is the responsibility of the installing agent. If you have any questions concerning these instructions, please call National Customer Service.

Captivate™ Series Fin-Shaped Unit (with and without modesty panel)

4

If unit has no modesty panel, position column leg using dimensions specified below and attach column leg to underside of worksurface using (4) screws provided with column leg (Figure E).

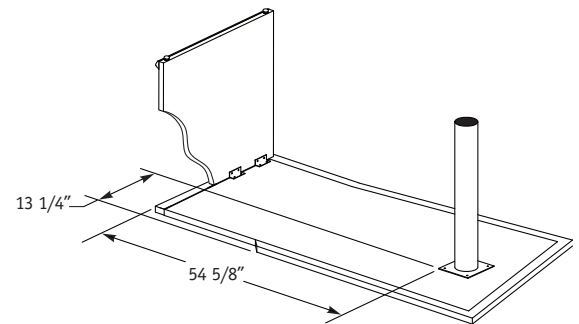
Figure E



5

If unit has a modesty panel, position column leg using dimensions specified below but do not attached to worksurface as of yet. Next place modesty panel with one end centered on end panel and other end centered on column leg. Modesty panel will rest on column leg flange leaving a 3mm gap from bottom of worksurface. Move column leg accordingly as to be centered, flush with no gaps on modesty panel.

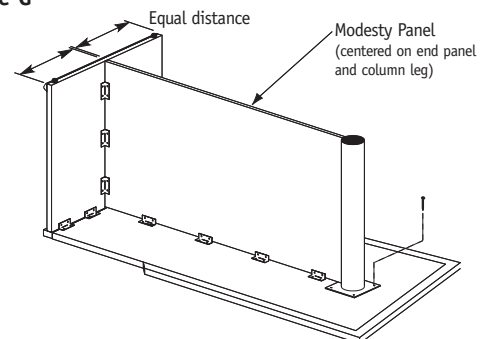
Figure F



Now attach modesty panel to worksurface and end panel by inserting provided screws through brackets in modesty panel and into worksurface and end panel. Tighten all screws securely.

Lastly attach column leg to underside of worksurface using (4) screws provided with column leg (Figures F & G).

Figure G

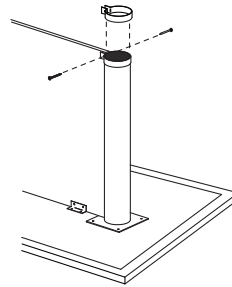


**Captivate™ Series
Fin-Shaped Unit
(with and without modesty
panel)**

6

Slide leg collar over column leg and attach to modesty panel with screws provided (Figure H).

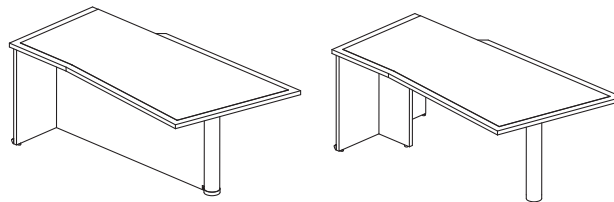
Figure H



7

Carefully turn unit upright into final position. Level unit (Figure I).

Figure I



Proper product installation, in accordance with these instructions, is the responsibility of the installing agent. If you have any questions concerning these instructions, please call National Customer Service.