

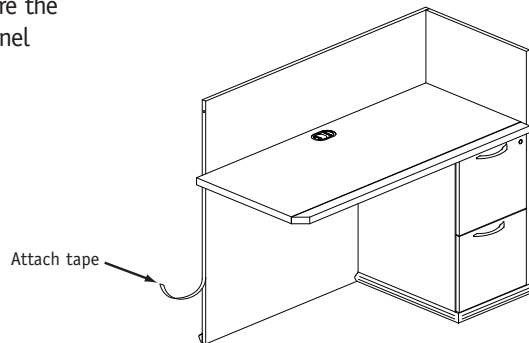
Captivate™ Series Reception Desk and Return

Note: This instruction explains the installation of a reception return to a transaction desk. It is recommended that more than one person be used to assemble this unit. It is also recommended that the transaction desk be in its intended position prior to installation of the return.

1

Remove the plastic film backer from one side of the adhesive tape. Adhere the tape to the return's modesty panel edge, covering the dowel hole (Figure A).

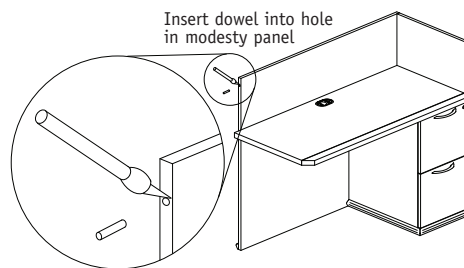
Figure A



2

Carefully cut tape away from dowel hole and fully insert dowel (Figure B).

Figure B

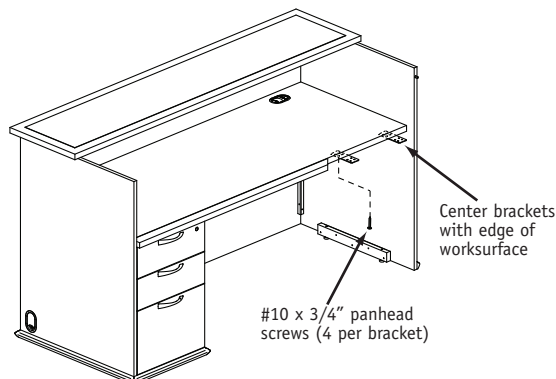


Cut tape from dowel openings

3

Attach two (2) mounting brackets to the under side of the transaction desk where the worksurfaces will meet. Center the brackets with the edge of the worksurface. Attach each bracket with four (4) #10 x 3/4 panhead screws provided (Figure C).

Figure C



Recommended Tools

- Screw Gun
- Phillips Head Bit
- Square
- Level
- Utility Knife

Package Contents Qty.

- Return 1
- Double Sided Tape 1
- 3/8" x 1 1/2" Wooden Dowel 1
- Mounting Brackets 2
- #10 x 3/4" Panhead Screws 16
- Mounting Rail 1
- #8 x 1 1/4 Panhead Screws 8

NATIONAL

Furniture with Personality™

Telephone 800.482.1717
 Fax 812.482.8800
 www.nationalonline.com

Part #2040766

Printed in U.S.A
 © 2007 Kimball International, Inc.

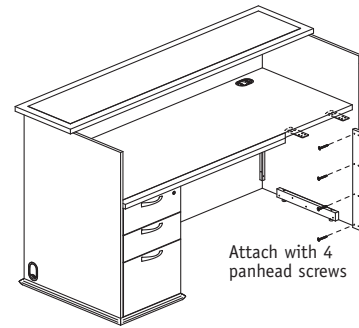
Proper product installation, in accordance with these instructions, is the responsibility of the installing agent. If you have any questions concerning these instructions, please call National Customer Care Teams.

**Captivate™ Series
Reception Desk and
Return**

4

Attach mounting rail to the inside of the transaction desk end panel. Center the rail with the edge of the end panel. Attach rail with four (4) #8 x 1 1/4" panhead screws (Figure D).

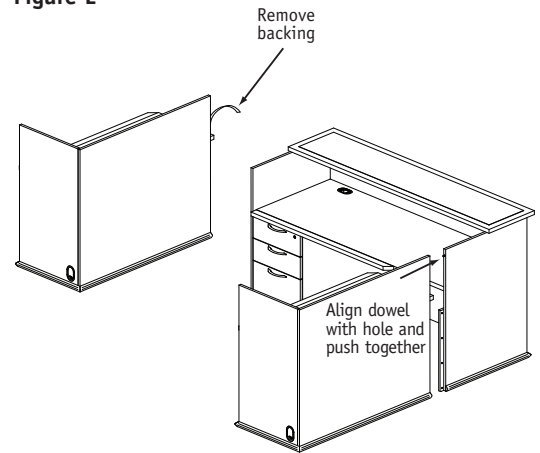
Figure D



5

Remove remaining plastic film backer from adhesive tape on return. With transaction desk in its desired location, align the dowel in the return with the hole in the desk end panel. Push return towards desk, making sure dowel engages hole in desk. Make sure all panels and worksurfaces are flush. When aligned, press both units firmly together to eliminate all gaps (Figure E).

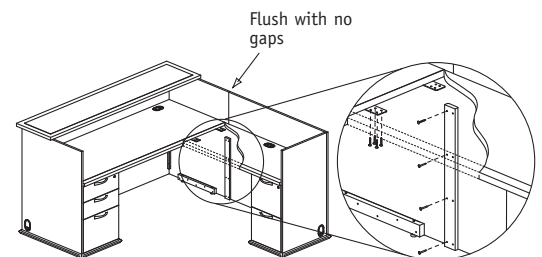
Figure E



6

Attach mounting rail to the return using four (4) #8 x 1 1/4" panhead screws. Attach brackets to the return using four (4) #10 x 3/4" panhead screws per bracket. Make sure all panels and worksurfaces are flush with no gaps and firmly tighten all screws (Figure F).

Figure F



Proper product installation, in accordance with these instructions, is the responsibility of the installing agent. If you have any questions concerning these instructions, please call National Customer Care Teams.