

NOTE: This instruction explains the installation of a table desk. It is recommended that more than one person be used to assemble this unit. It is also recommended that the table desk be in its intended position prior to installation.

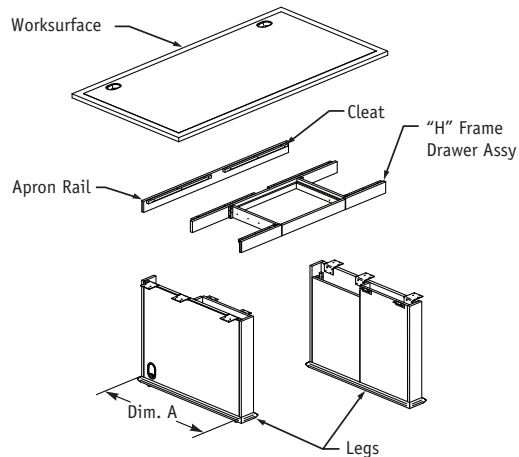
Assembly Instructions

Captivate™ Series Table Desk

1

The table desk will arrive unassembled with the worksurface, "H" frame drawer assembly, apron rail, and panel legs boxed and located in the main carton of the table desk (Figure A).

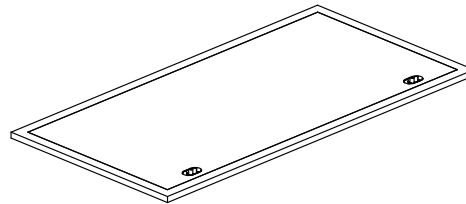
Figure A



2

Carefully un-carton all contents. Place worksurface face down on a smooth, clean, soft surface. (Figure B).

Figure B



3

Attach "H" frame drawer assembly and apron rail to worksurface using (18) #8 x 1 1/4" panhead screws (provided), (3) per cleat (Figure C). See Figure A and Figure D for locations.

Figure C

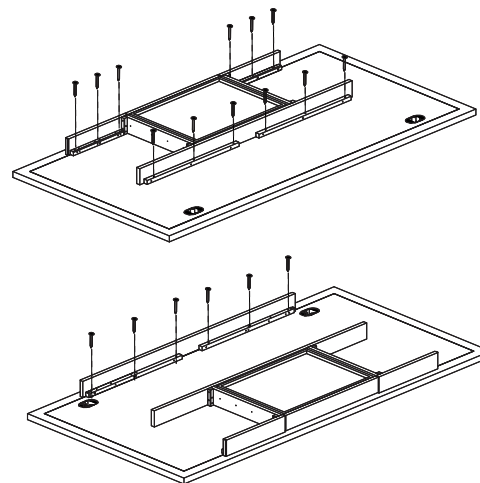
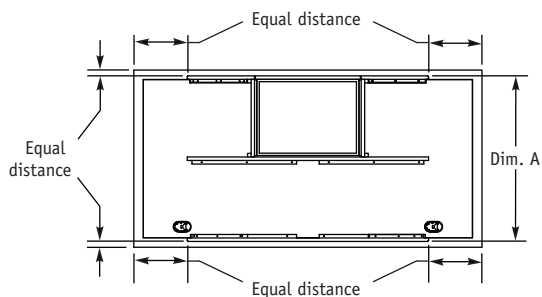


Figure D



Recommended Tools

- Level
- Phillips Head Screwdriver

Package Contents Qty.

- | | |
|-----------------------------|----|
| • Table Desk | 1 |
| • "H" Frame Drawer Assembly | 1 |
| • Apron Rail | 1 |
| • Leg | 2 |
| • #10 x 3/4" Screw | 24 |
| • #8 x 5/8" Screw | 8 |
| • #8 x 1/4" Panhead Screw | 18 |

NATIONAL

Furniture with Personality®

Telephone 800.482.1717
 Fax 812.482.8800
 www.nationalonline.com

Part #2051338

Printed in U.S.A
 © 2007 Kimball International, Inc.

Proper product installation, in accordance with these instructions, is the responsibility of the installing agent. If you have any questions concerning these instructions, please call National Customer Service.

CASEGOODS

Assembly Instructions

Captivate™ Series Table Desk

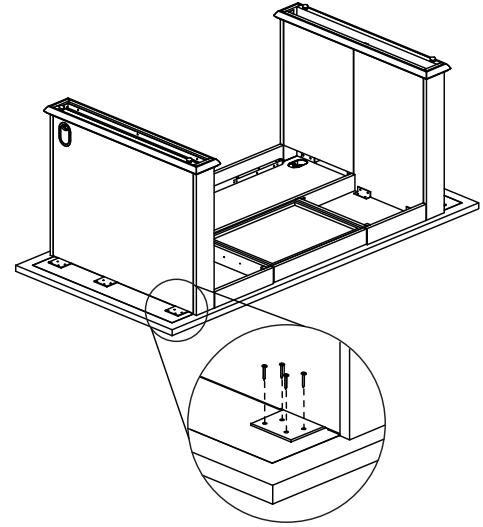
4

Place panel legs onto bottom side of worksurface. Slide legs into position against the end of the apron on the worksurface and align face of end panel to face of apron rails making certain that the grommet in the panel legs are located on the same side as worksurface grommets.

For units without the grommet option, make certain the (3) larger brackets are positioned outward, side opposite the kneespace.

Secure brackets outside of the kneespace with #10 X 3/4" screws (provided), (4) per bracket. Secure brackets inside the kneespace area with #8 X 5/8" screws (provided), (2) per bracket (Figure E).

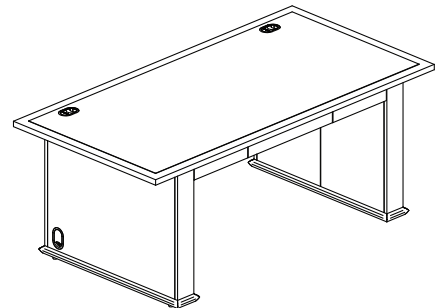
Figure E



5

After panel legs are attached, carefully turn table to the upright position and level. (It is recommended to have more than one person available when turning table to upright position) (Figure F).

Figure F



Proper product installation, in accordance with these instructions, is the responsibility of the installing agent. If you have any questions concerning these instructions, please call National Customer Service.