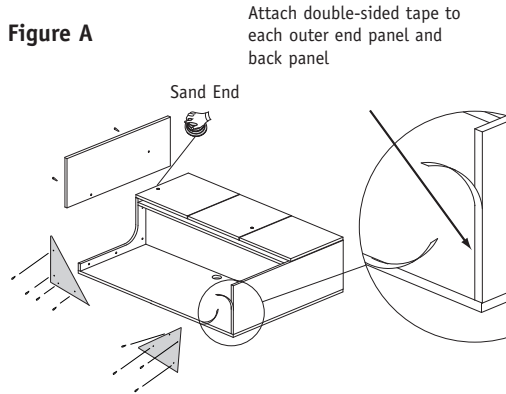


Assembly Instruction

1

On a smooth, clean, soft surface lay both organizer halves on their backs. Remove two (2) screws holding shipping support panel and eight (8) screws and two (2) triangle shipping pads. Cut four (4) pieces of double-sided adhesive tape for each outer end panel and two (2) for the back panel. Peel off one side of the protective backing and attach the tape to the underside of each end panel (Figure A).

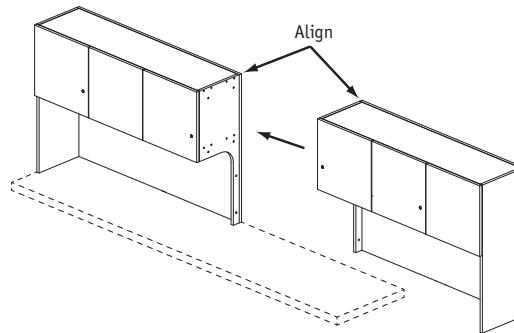
Figure A



2

Lift the first highback half into its desired location on the worksurface. Lift the second highback half into position against the first unit. Make sure units align and are flush on all sides (Figure B).

Figure B

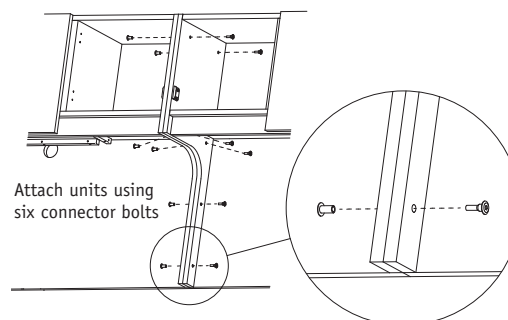


Caution: Make sure first unit is held steady while locating second unit.

3

Align connecting holes in highbacks and attach highbacks together using the six (6) connecting bolts. Insert half of a connector bolt into one connecting hole, and insert the other half into the opposite connecting hole. Tighten all bolts securely, making sure both highback halves are flush against each other with no gaps (Figure C).

Figure C



Casbah™ Assembly Instructions 96", 102" and 108" Highback Organizer

Recommended Tools

- Allen Wrench
- Tape Measure or Ruler
- Scissors or Utility Knife

Package Contents Qty.

- | | |
|------------------------------|---|
| • Double-sided Adhesive Tape | 1 |
| • Connecting Bolts | 6 |

NATIONAL

Furniture with Personality®

Telephone 800.482.1717
Fax 812.482.8800
www.nationalonline.com

Part #2071188

Printed in U.S.A.
© 2007 Kimball International, Inc.

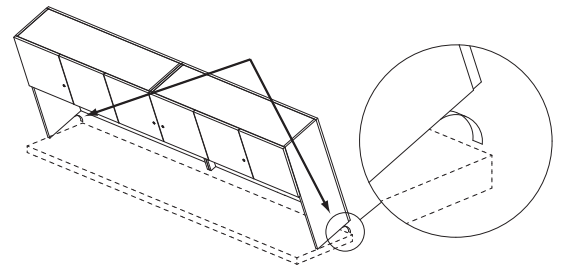
Proper product installation, in accordance with these instructions, is the responsibility of the installing agent. If you have any questions concerning these instructions, please call National Customer Service.

Assembly Instructions

Casbah™ Assembly Instructions Highback Organizer

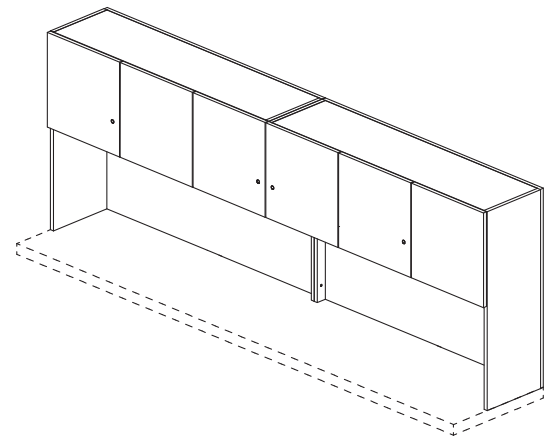
- 4** Make sure assembled unit is in its final desired position. Carefully tilt unit forward and remove remaining protective backing from each piece of double-sided adhesive tape (Figure D).

Figure D



- 5** Set unit upright and press down to ensure good bond with adhesive (Figure E).

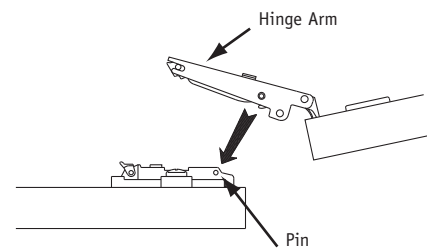
Figure E



Caution: Double-sided tape has a powerful adhesive which permanently bonds to any surface.

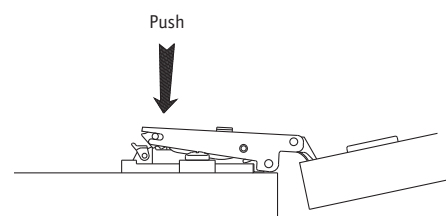
- 6** **Glass Door Installation**
Install top hinge on mounting plate, locate the pins on the mounting plate into the recesses on the under side of the hinge arm as shown in (Figure F).

Figure F



With the front of the hinge arm fully seated, press on the back of the hinge arm until the arm “snaps” and is locked into position (Figure G).

Figure G



Repeat for each hinge and Glass Door

Proper product installation, in accordance with these instructions, is the responsibility of the installing agent. If you have any questions concerning these instructions, please call National Customer Service.