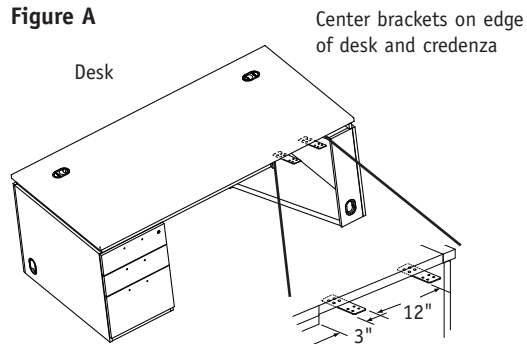


NOTE: A bridge is used to attach a desk and a credenza.

1

Attach mounting brackets to underside of desk and credenza worksurfaces where they will attach to the bridge worksurface. Center the brackets with the edge of the worksurfaces. Attach brackets to the desk or credenza using four (4) #10 x 1" panhead screws per bracket (Figure A).

Figure A



2A

Bridge with Standard Modesty Panel

Move desk and credenza into desired positions. Install glides into pedestals, **level both units**. Place bridge modesty between units. Align face and top edges with end panels of desk and credenza with no gaps. Attach L brackets with two (2) #8 x 5/8" panhead screws (Figure B).

Attach bridge worksurface to all mounting brackets with four (4) #10 x 1" panhead screws per bracket. Adjust so all worksurfaces are flush with no gaps.

Attach two wood L-Shape cleats with four (4) #8 x 1 1/4" panhead screws per cleat (Figure C).

Figure B

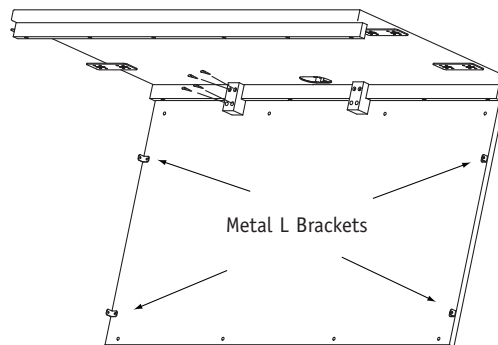
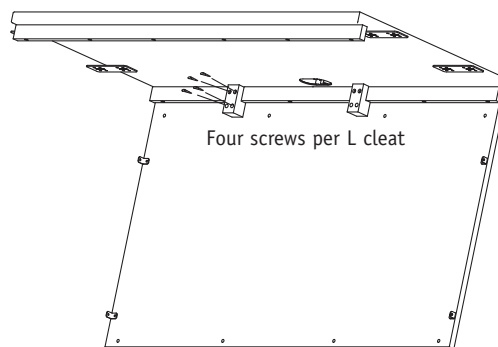


Figure C



Assembly Instructions

Casbah™ Casegoods Bridge Assembly

Recommended Tools

- Screw Gun
- Phillips Head Bit
- Level
- Tape Measure

Package Contents

Standard Bridge	Qty.
• Worksurface	1
• Flat Mounting Brackets	4
• #10 x 1" Panhead Screws	32
• #8 x 1 1/4" Panhead Screws	8
• #8 x 5/8" Panhead Screws	8
• Metal L Brackets	4
• Cleats	2
• Glides 4 Per Pedestal	

Bridge with Tambour

• Worksurface	1
• Tambour Modesty	1
• #8 x 1 1/4" Panhead Screws	8
• Flat Mounting Brackets	4
• #10 x 1" Panhead Screws	32
• Glides 4 Per Pedestal	

NATIONAL

Furniture with Personality®

Telephone 800.482.1717
 Fax 812.482.8800
 www.nationalonline.com

Part #2071184

Printed in U.S.A
 © 2007 Kimball International, Inc.

Proper product installation, in accordance with these instructions, is the responsibility of the installing agent. If you have any questions concerning these instructions, please call National Customer Service.

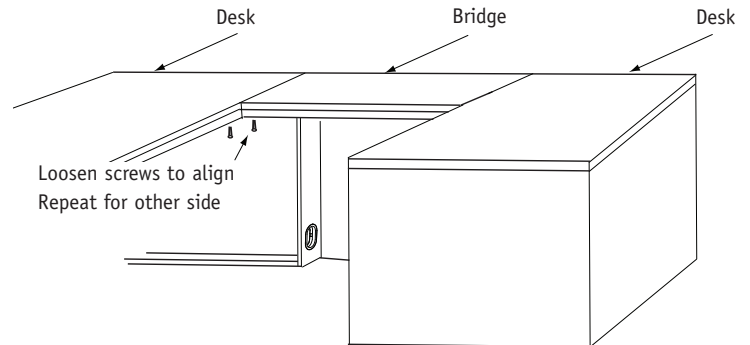
CASEGOODS

Assembly Instructions

Casbah™ Casegoods Bridge Assembly

NOTE: If needed to align recessed façade on bridge loosen first screw in façade and adjust alignment to desk and credenza façade rail so faces are flush, re-tighten screw (Figure D).

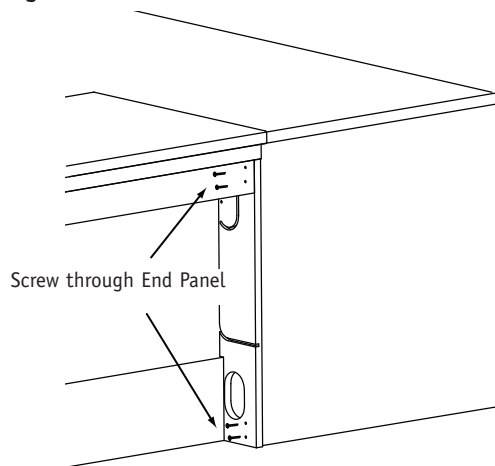
Figure D



2B **Bridge with Tambour Modesty**
Move desk and credenza into desired positions, **level** units. Lift and place tambour modesty between units with both hands. Align top edge and back edge with front pedestal panel of desk and credenza with no gaps. Attach tambour modesty with four (4) #8 x 1 1/4" panhead screws through holes in tambour end panels (Figure E).

Attach bridge worksurface to all mounting brackets with four (4) #10 x 1" panhead screws per bracket. Adjust so all worksurfaces are flush with no gaps.

Figure E



Proper product installation, in accordance with these instructions, is the responsibility of the installing agent. If you have any questions concerning these instructions, please call Kimball Customer Care Teams.