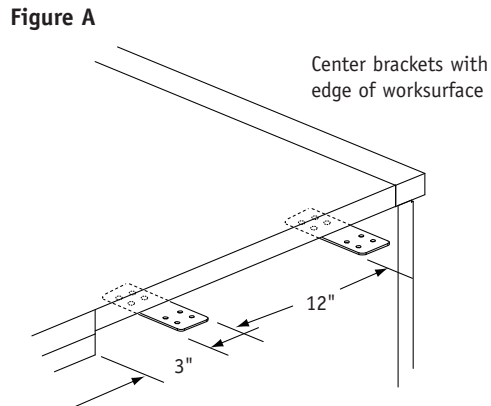
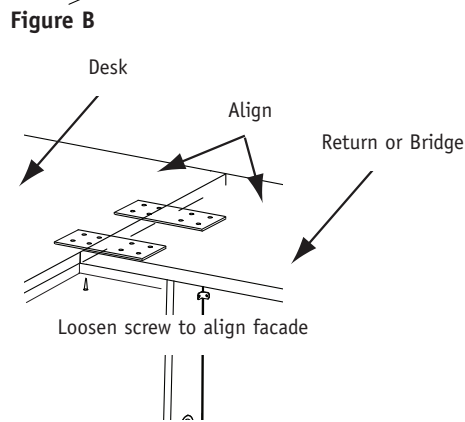


1 Position the desk in the desired location. Install glides into pedestals and **Level units**. Install the flat brackets to the desk using four (4) #10 x 1" panhead screws per bracket (Figure A).

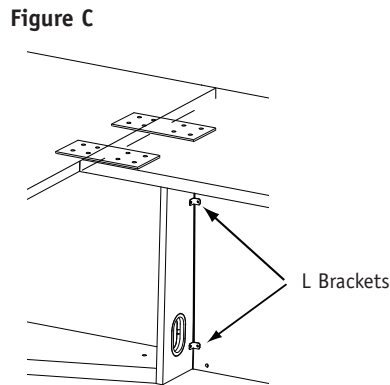


2 Align the return to the desk. Position the work surfaces so the outer edge of the desk and return are flush and pull tight against desk. Fasten return work surface to the flat brackets using four (4) #10 x 1" panhead screws per bracket (Figure B).

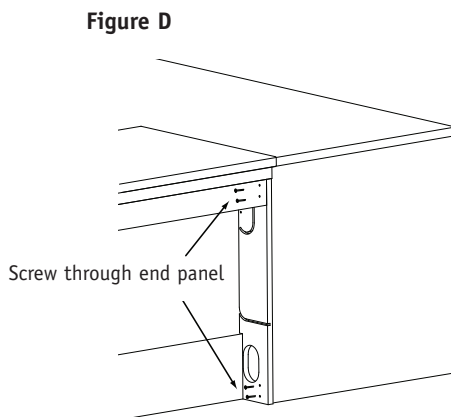


NOTE: If needed to align recessed façade on return, loosen first screw in façade and adjust alignment to façade rail so faces are flush and re-tighten screw.

3 **Return with Standard Modesty**
Align the desk end panel and the return modesty panel to eliminate any gap between them. Place two (2) metal L brackets on return modesty panel with two (2) #8 x 5/8" panhead screws. Attach the return to the desk using two (2) metal L brackets with two (2) #8 x 5/8" panhead screws provided (Figure C).



Return with Tambour Modesty
Lift with both hands to attach tambour modesty to desk with four (4) #8 x 1 1/4" panhead screws through holes in tambour end panels (Figure D).



Assembly Instructions

Casbah™ Series Executive Return

Recommended Tools

- Level
- Phillips Head Bit
- Screw Gun
- Tape Measure

Package Contents Qty.
Standard Modesty Return:

- Return 1
- Flat Mounting Bracket 2
- #10 x 1" Panhead Screws 16
- L Metal Bracket 2
- #8 x 5/8" Panhead Screws 4
- Glides four (4) per pedestal

Tambour Modesty Return:

- Tambour Return 1
- Metal Flat Brackets 2
- #10 x 1" Panhead Screws 16
- #8 x 1 1/4" Panhead Screws 4
- Glides four (4) per pedestal

NATIONAL

Furniture with Personality™

Telephone 800.482.1717
Fax 812.482.8800
www.nationalonline.com

Part #2071185

Printed in U.S.A
© 2007 Kimball International, Inc.

Proper product installation, in accordance with these instructions, is the responsibility of the installing agent. If you have any questions concerning these instructions, please call National Customer Care Teams.