

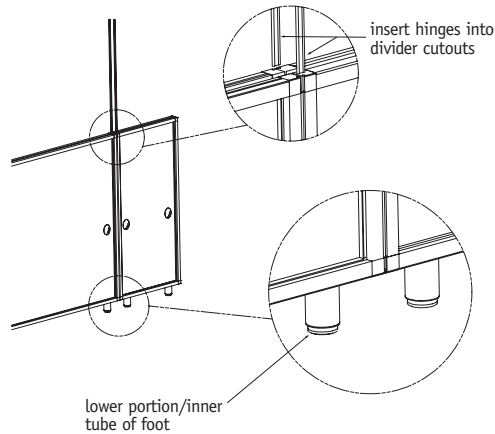
NOTE: It is recommended that you install a carpet gripper or hard floor gripper on each divider foot to prevent dividers from unintentional movement.

1

When attaching dividers in a straight line, level the units that will be next to each other by turning the lower portion/inner tube of the foot. Insert one hinge into the rounded cutouts in the two corner caps with the v-notch facing outward. Slide the hinge down the frame until it bottoms out. Insert the second hinge into the opposite side of the divider so that there are two hinges for one in-line connection (Figure A).

NOTE: If there is difficulty inserting the hinge, use the pliers to crimp the hinge up and down the length of it making the v-notched area more flexible. If there is still resistance sliding the hinge, you may use a non-greasy lubricant on the hinge.

Figure A

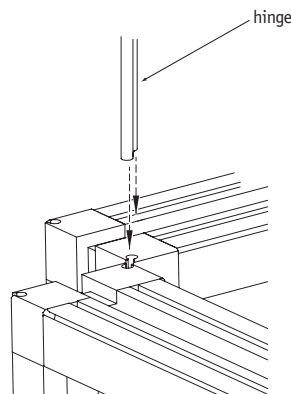


2

When making a corner or turn with the dividers, only one hinge is needed. Level the two dividers that are making the corner by turning the lower portion/inner tube of the foot. Insert the hinge into the rounded cutouts in the corner caps with the v-notch facing outward. Slide the hinge down the frame until it bottoms out (Figure B).

NOTE: If there is difficulty inserting the hinge, use the pliers to crimp the hinge up and down the length of it making the v-notched area more flexible. If there is still resistance sliding the hinge, you may use a non-greasy lubricant on the hinge.

Figure B



Assembly Instructions

Chameleon™ Dividers and Toppers

Recommended Tools

- Level
- Needle-nosed pliers
- Non-greasy lubricant
- Scissors or knife

Package Contents	Qty.
• Dividers	per order
• Toppers	per order
• Hinges	per order

NATIONAL

Furniture with Personality®

Telephone 800.482.1717
Fax 812.482.8800
www.nationalonline.com

Part # 1982371

Printed in U.S.A.
© 2006 Kimball International, Inc.

Proper product installation, in accordance with these instructions, is the responsibility of the installing agent. If you have any questions concerning these instructions, please call National Customer Service.

D I V I D E R S

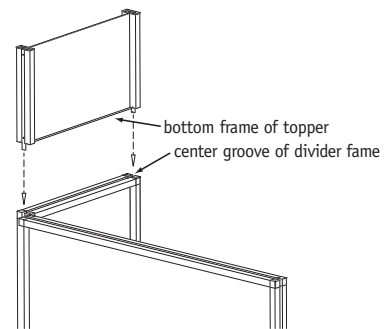
Assembly Instructions

Chameleon™ Dividers and Toppers

3

Do not remove the foam sheet protection before installing the topper. To install a topper onto a divider, use both hands to lift the topper with the unframed side of the acrylic facing upward. Align the bottom frame of the topper into the center groove of the top frame of the divider and lower the topper in place. Press down firmly into place. Cut open the tape and remove the foam sheet protection (Figure C).

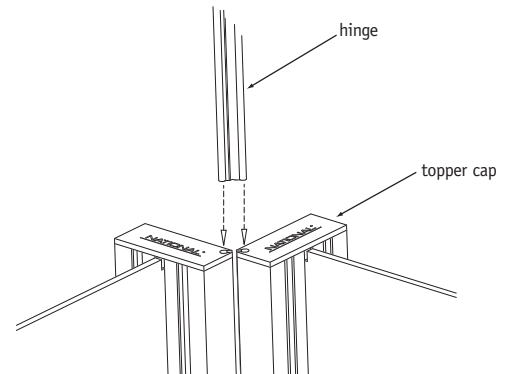
Figure C



4

To eliminate gaps after toppers are installed, cut the hinge to 15" and slide the hinge into the rounded cutouts in the topper caps. Slide the hinge down the frame until it bottoms out on top of the divider hinge. For toppers in line with each other, you may use two hinges if desired (Figure D).

Figure D



NOTE: If there is difficulty inserting the hinge, use the pliers to crimp the hinge up and down the length of it making the v-notched area more flexible. If there is still resistance sliding the hinge, you may use a non-greasy lubricant on the hinge.

Proper product installation, in accordance with these instructions, is the responsibility of the installing agent. If you have any questions concerning these instructions, please call National Customer Service.