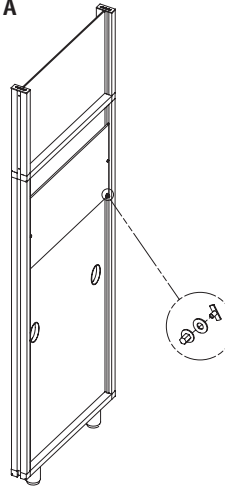


NOTE: The Magna Zone is required for installing Tack Zones and/or Marker Zones

1

Measure down from inside of the divider's top rail to the desired location for the bottom of the Magna Zone. Use nut driver to install first adjustable pin in vertical groove of divider frame. The "T" post of the pin slides vertically into the groove and rotates and locks as you tighten down on the nut (Figure A).

Figure A



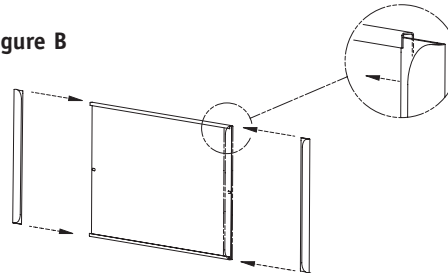
2

Repeat Step 1 install the other adjustable pin.

3

Slide U-channel brackets into the side tabs on the back of the Magna Zone (Figure B).

Figure B

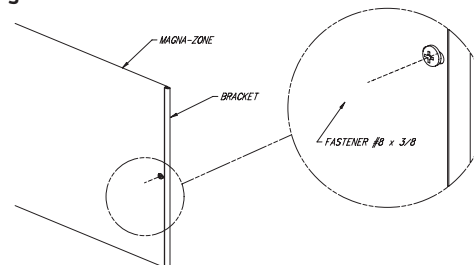


NOTE: Rounded side of bracket should be facing away from back side of Slat Zone.

4

Attach the U-channel brackets to the Magna Zone using the screws provided and a hand held phillips screwdriver. DO NOT fully tighten (Figure C).

Figure C



Assembly Instructions

Chameleon™ Magna Zone

Recommended Tools

- Phillips Screwdriver
- 1/4" Nut driver
- Level

Package Contents Qty.

- | | |
|----------------------|---|
| • #8-32 Screws | 2 |
| • Magna Zone | 1 |
| • U-Channel Brackets | 2 |
| • Locking Brackets | 2 |
| • Adjustable Pins | 2 |

NATIONAL

Furniture with Personality®

Telephone 800.482.1717
Fax 812.482.8800
www.nationalonline.com

Part #1982373

Printed in U.S.A.
© 2006 Kimball International, Inc.

Proper product installation, in accordance with these instructions, is the responsibility of the installing agent. If you have any questions concerning these instructions, please call National Customer Service.

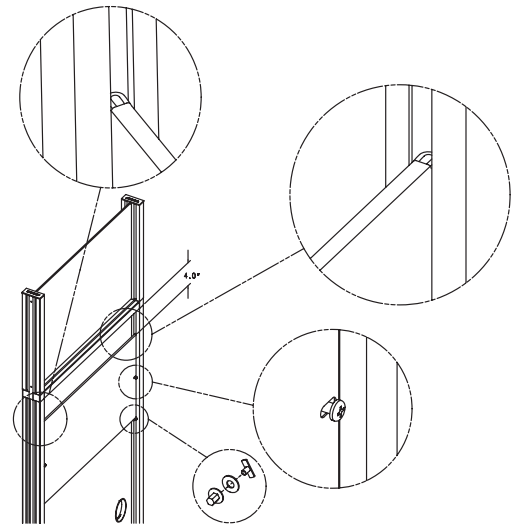
D I V I D E R S

Assembly Instructions

Chameleon™ Magna Zone

- 5** Place the Magna Zone within the divider frame, sliding the U-channel brackets into the vertical grooves of the divider frame. Rest the bottom of the U-channel brackets on top of the adjustable pins (Figure D).

Figure D



- 6** Hand tighten down on the two screws into the Magna Zone using the phillips screwdriver which spreads the bracket apart creating a wedge in the groove (Figure D).