

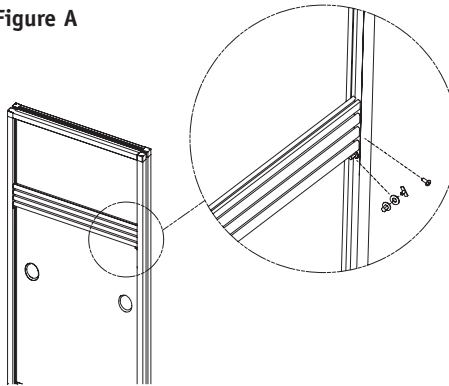
Dividers

NOTE: The Slat Zone and Wire Manager mount to the divider in the same manner. There are no separate brackets for attaching the Wire Manager.

1

Measure down from inside of the divider's top rail to the desired location for the bottom of the Slat Zone. Use nut driver to install first adjustable pin in vertical groove of divider frame. The "T" post of the pin slides vertically into the groove and rotates and locks as you tighten down on the nut (Figure A).

Figure A



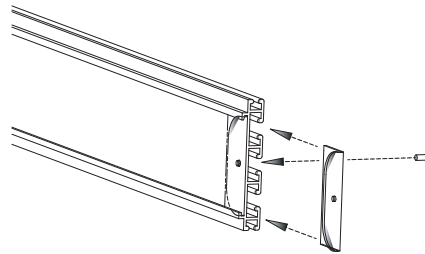
2

Repeat Step 1 install the other adjustable pin.

3

Slide U-channel brackets into the side tabs on the back side of the Slat Zone (Figure B).

Figure B

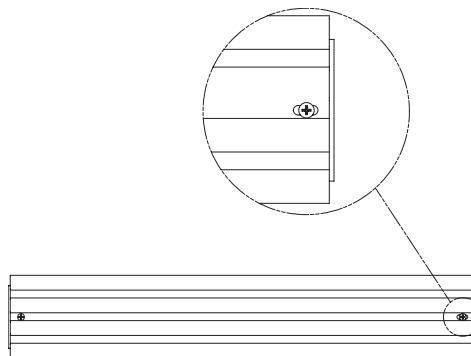


NOTE: Rounded side of bracket should be facing away from back side of Slat Zone.

4

Attach the U-channel brackets to the Slat Zone using the screws provided, but DO NOT fully tighten (Figure C).

Figure C



5

Place the Slat Zone in the desired horizontal position within the divider frame.

Assembly Instructions

Chameleon™ Slat Zone and Wire Manager

Recommended Tools

- Phillips Screwdriver
- 1/4" Nut driver
- Level

Package Contents	Qty.
• #8-32 Screws	2
• Slat Zone	per order
• Wire Manager	per order
• U-Channel Brackets	2
• Adjustable Pins	2

NATIONAL

Furniture with Personality®

Telephone 800.482.1717
Fax 812.482.8800
www.nationalonline.com

Part # 1982372

Printed in U.S.A.
© 2006 Kimball International, Inc.

Proper product installation, in accordance with these instructions, is the responsibility of the installing agent. If you have any questions concerning these instructions, please call National Customer Service.

D I V I D E R S

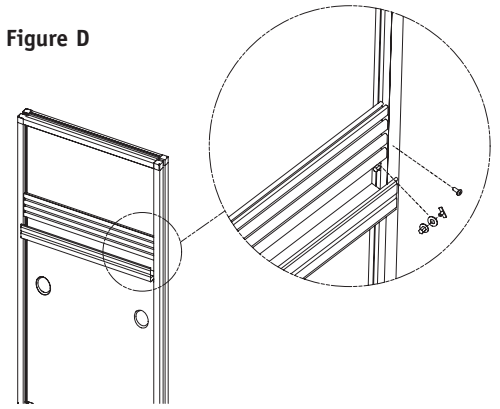
Assembly Instructions

Chameleon™ Slat Zone and Wire Manager

6

Slide one end of the Slat Zone into the outer vertical groove of the divider frame. Push the U-channel bracket into the groove and rest the bottom of the U-channel bracket on the top of the adjustable pin in the vertical groove (Figure D).

Figure D



7

Repeat step 6 for the opposite side of the Slat Zone/Magna Zone.

8

Hand tighten down on the two screws into the Slat Zone using a phillips screwdriver which spreads the bracket apart creating a wedge in the groove.

Proper product installation, in accordance with these instructions, is the responsibility of the installing agent. If you have any questions concerning these instructions, please call National Customer Service.