

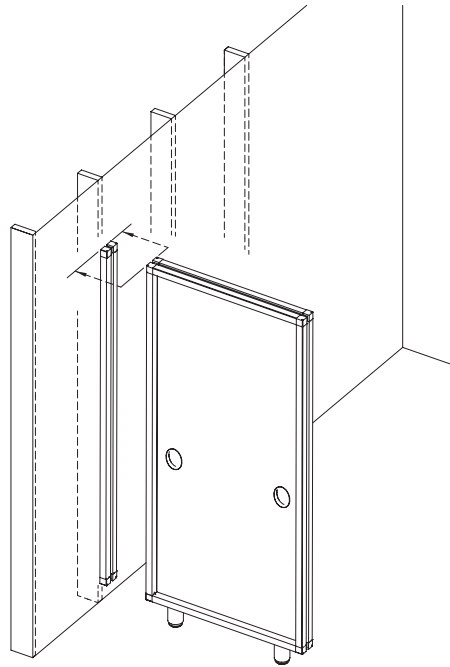
## Dividers

**NOTE:** If your baseboard is greater than 4" tall, you will either have to remove the baseboard or notch it out to accommodate Wall Mount Starter Kit. The divider foot can be adjusted to 4" in height to accommodate some baseboards.

**1**

The position of the Wall Mount Starter Kit is determined by the divider that will be coming off the wall (Figure A).

Figure A



**2**

Position a properly leveled divider perpendicular to the wall (Figure A).

**3**

Make a mark on the wall where the top frame of the divider rail meets the wall (Figure A).

**4**

Position the wall mount extrusion along the mark. The bottom of the wall mount extrusion should line up with the bottom frame of the divider (Figure A).

Assembly Instructions

### Chameleon™ Wall Mount Starter Kit

#### Recommended Tools

- Needle-nosed pliers
- Level
- Non-greasy lubricant
- Scissors or knife
- Drill
- Bolts

#### Package Contents Qty.

- |                        |   |
|------------------------|---|
| • Wall Mount Extrusion | 1 |
| • Hinges               | 2 |

## NATIONAL

Furniture with Personality®

Telephone 800.482.1717  
Fax 812.482.8800  
www.nationalonline.com

Part # 1982374

Printed in U.S.A.  
© 2006 Kimball International, Inc.

Proper product installation, in accordance with these instructions, is the responsibility of the installing agent. If you have any questions concerning these instructions, please call National Customer Service.

## D I V I D E R S

Assembly Instructions

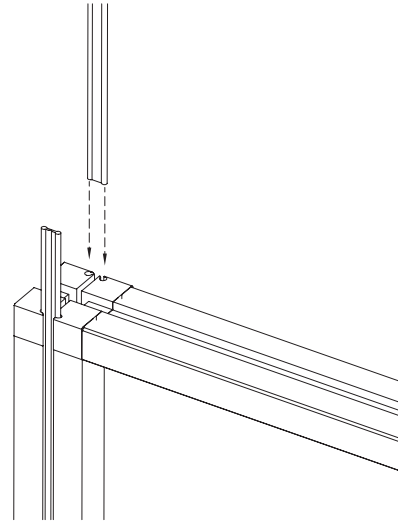
### Chameleon™ Wall Mount Starter Kit

5

Secure divider to the wall mount extrusion using two hinges. Insert one hinge into the rounded cutouts in the two corner caps with the v-notch facing outward. Slide the hinge down the frame until it bottoms out. Insert the second hinge into the opposite side of the divider so that there are two hinges for attaching an in-line divider (Figure B).

**NOTE:** If there is difficulty inserting the hinge, use the pliers to crimp the hinge up and down the length of it making the v-notched area more flexible. If there is still resistance sliding the hinge, you may use a non-greasy lubricant on the hinge.

Figure B



#### Recommended Fasteners:

Dry Wall - Must be at least 5/8" thick. Use 3/16" hollow wall fasteners or 3/16" toggle bolts.

Wood Studs - Must be a nominal 2" x 4" size on no more than 24" center. Maximum height of 14' restrained at floor and ceiling. Use #10 x 2" screws.

Metal Studs - Must be "C" channel, 20 gauge on no more than 24" center. Maximum height of 14' restrained at floor and ceiling. Use 3/16" hollow wall fasteners or 3/16" toggle bolts.

Concrete - Use concrete wall anchors with #10 x 1 1/2" screws.

**NOTE:** National does not assume responsibility for improper fastener selection or installation. Consult a reliable installer.

Proper product installation, in accordance with these instructions, is the responsibility of the installing agent. If you have any questions concerning these instructions, please call National Customer Service.