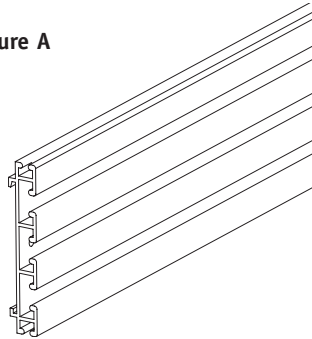


NOTE: Mounting screws for the wall mounted Slat Zone are user provided and determined by the type of material the Slat Zone is mounted to.

1

The wall mount Slat Zone is a hanging wall extrusion. Determine the desired placement on the wall. When mounted to any type of wall, the Slat Zone should be secured first at one end and then leveled and secured through the hole at the other end. Securing through the end holes first provides stability when drilling and mounting the rest of the fasteners along the grooves (Figure A).

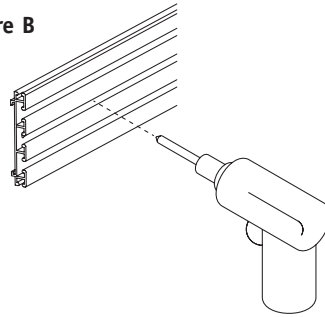
Figure A



2

Place tip of drill bit in between grooves in the extrusion and drill pilot hole and locate fasteners at appropriate intervals. Continue for the entire length of the Slat Zone (Figure B).

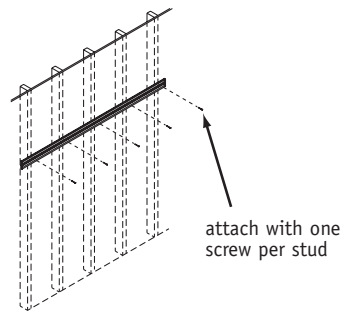
Figure B



3

When mounting to a stud wall, attach the Slat Zone in each stud in the wall with appropriate fastener (Figure C).

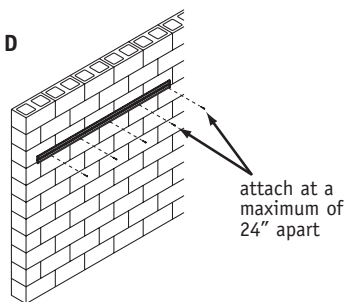
Figure C



4

When mounting to a concrete or block wall, fasteners should be placed a maximum of 24" apart. Attach the Slat Zone with the appropriate fasteners (Figure D).

Figure D



Assembly Instructions

Chameleon™ Wall Mount Slat Zone

Recommended Tools

- Electric Drill
- Drill Bits
- Screwdrivers
- Stud Finder
- Erasable Marker

Package Contents Qty.

- Slat Zone per order

NATIONAL

Furniture with Personality®

Telephone 800.482.1717

Fax 812.482.8800

www.nationalonline.com

Part # 1982378

Printed in U.S.A.

© 2006 Kimball International, Inc.

Proper product installation, in accordance with these instructions, is the responsibility of the installing agent. If you have any questions concerning these instructions, please call National Customer Service.

D I V I D E R S

Assembly Instructions

Chameleon™ Wall Mount Slat Zone

Recommended Fasteners:

Dry Wall - Must be at least 5/8" thick. Use 3/16" hollow wall fasteners or 3/16" toggle bolts.

Wood Studs - Must be a nominal 2" x 4" size on no more than 24" center. Maximum height of 14' restrained at floor and ceiling. Use #10 x 2" screws.

Metal Studs - Must be "C" channel, 20 gauge on no more than 24" center. Maximum height of 14' restrained at floor and ceiling. Use 3/16" hollow wall fasteners or 3/16" toggle bolts.

Concrete - Use concrete wall anchors with #10 x 1 1/2" screws.

NOTE: National does not assume responsibility for improper fastener selection or installation. Consult a reliable installer.

Proper product installation, in accordance with these instructions, is the responsibility of the installing agent. If you have any questions concerning these instructions, please call National Customer Service.