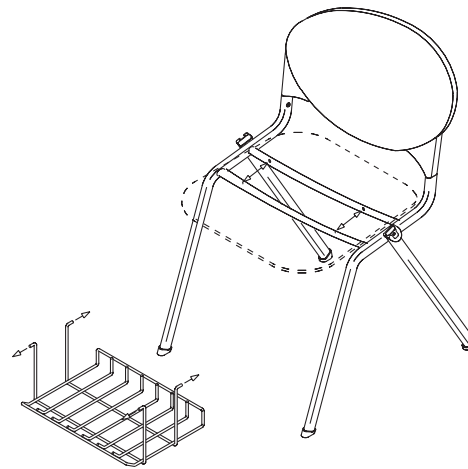


1

Turn chair over on back with bottom facing you. Take the book rack and squeeze the four (4) book rack bars inward and align the tips along the holes on the metal bar. Slowly release until all four tips are inserted.



Assembly Instructions

**CINCH  
Book Rack**

**Package Contents**

Per Chair	Qty.
• Book Rack	1

**NATIONAL**

Furniture with Personality™

Telephone 800.482.1717  
 Fax 812.482.8800  
 www.nationalonline.com

Form #NAICBR

© 2002 Kimball International, Inc.

Proper product installation, in accordance with these instructions, is the responsibility of the installing agent. If you have any questions concerning these instructions, please call National Customer Service.