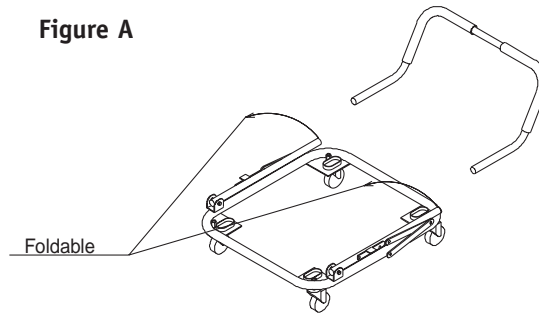


1

Unfold sides of transport dolly to an upright position (Figure A).

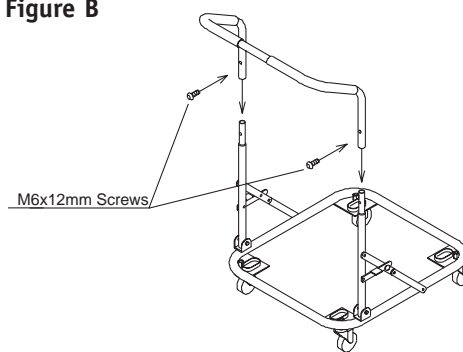
Figure A



2

Attach handle to upright sides of transport dolly using the two (2) M6x12mm screws included (Figure B).

Figure B



Assembly Instructions

**CINCH
Transport Dolly**

Recommended Tools

- 4mm Allen wrench

Package Contents Qty.

- M6x12mm screws 2

NATIONAL

Furniture with Personality™

Telephone 800.482.1717
 Fax 812.482.8800
 www.nationalonline.com

Form #NAICTD

© 2002 Kimball International, Inc.

Proper product installation, in accordance with these instructions, is the responsibility of the installing agent. If you have any questions concerning these instructions, please call National Customer Service.