

**CLEVER SERIES
Bridge with Hinged
Modesty Panel**

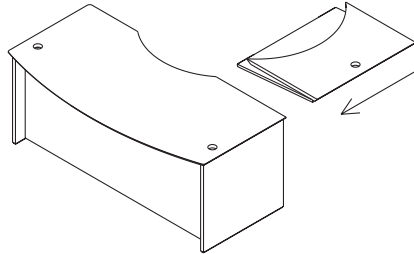
Recommended Tools
None

Package Contents	Qty.
• Bridge w/hinged modesty panel	1

1

Move primary component into final position. Attach bridge using the quick fasteners located on the underside of the worksurfaces (reference instruction sheet #1604891) (Figure A).

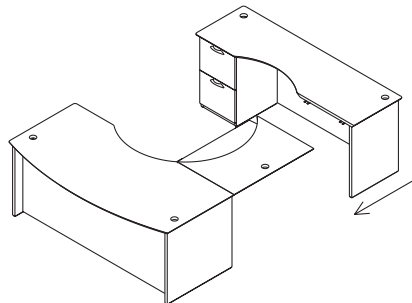
Figure A



2

While supporting bridge, move secondary component into position. Attach to bridge using quick fasteners located on the underside of the worksurfaces. Make sure all quick fasteners are tight (Figure B).

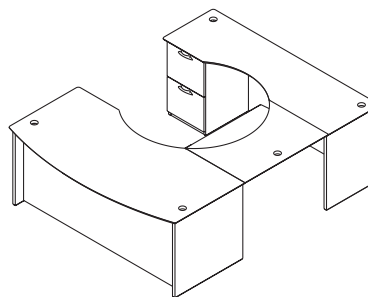
Figure B



3

Make sure all gaps between components and bridge are eliminated (Figure C).

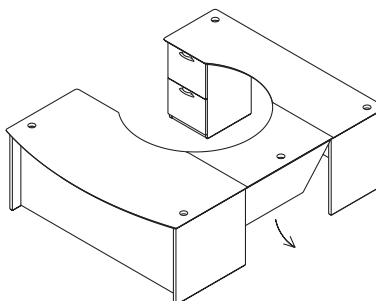
Figure C



4

Swing bridge modesty panel down to the vertical position (Figure D).

Figure D



NATIONAL

Furniture with Personality™

Telephone 800.482.1717
Fax 812.482.8800
www.nationalonline.com

Form #NAICLBMP
Part #1571061

Printed in U.S.A
© 2002 Kimball International, Inc.

Proper product installation, in accordance with these instructions, is the responsibility of the installing agent. If you have any questions concerning these instructions, please call National Customer Service.

**CLEVER SERIES
Bridge with Hinged
Modesty Panel**

5

Make sure modesty panel is flush with end panels of connecting components. Snug adjustable feet on bottom of modesty panel to the floor and lock into position (Figure E).

Figure E

