

**CLEVER SERIES
Power/Data Center**

Recommended Tools

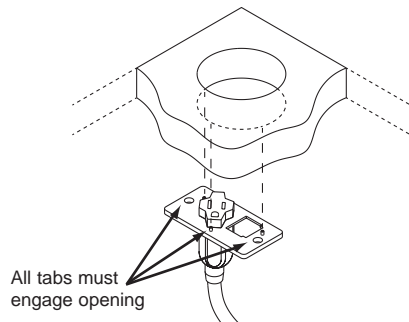
- Screwdriver

Package Contents	Qty.
• Power/Data Center	1
• Mounting Screws	2

1

Insert the power/data center into the underside of the opening in the worksurface. Make sure the three tabs on the top side of the power/data center fully engage the opening (Figure A).

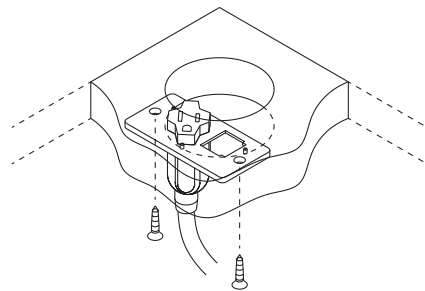
Figure A



2

Attach the power/data center to the underside of the worksurface using the mounting screws provided (Figure B).

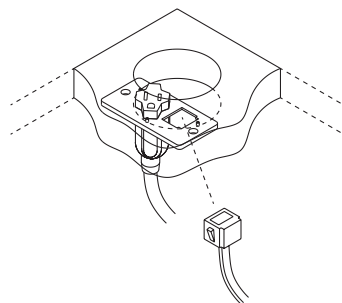
Figure B



3

Insert data cord into power/data center, if desired (Figure C).

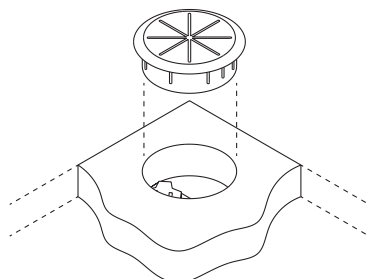
Figure C



4

Insert grommet into top side of the worksurface (Figure D).

Figure D



NATIONAL

Furniture with Personality™

Telephone 800.482.1717
Fax 812.482.8800
www.nationalonline.com

Form #NAICLPD
Part #1567847

Printed in U.S.A.
© 2002 Kimball International, Inc.

Proper product installation, in accordance with these instructions, is the responsibility of the installing agent. If you have any questions concerning these instructions, please call National Customer Service.