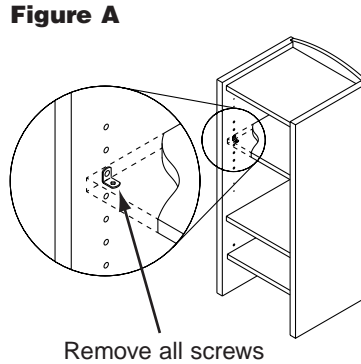
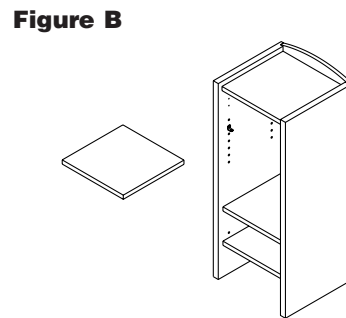


**Adjustable Shelf**

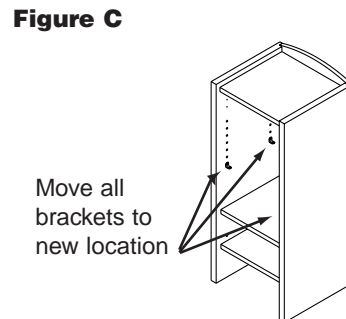
**1** Remove any and all screws from all adjustable shelf brackets on bottom of adjustable shelf (Figure A).



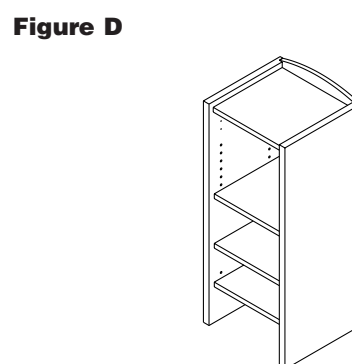
**2** Remove adjustable shelf (Figure B).



**3** Move all adjustable brackets to desired locations making sure they are all on the same level (Figure C).



**4** Place shelf on brackets. Do NOT re-insert screws (Figure D).



**Recommended Tools**  
 • Phillips Screw Driver

| Package Contents | Qty. |
|------------------|------|
| • Open Bookcase  | 1    |

**NATIONAL**  
 Furniture with Personality™

Telephone 800.482.1717  
 Fax 812.482.8800  
[www.furniture.kimball.com/nof](http://www.furniture.kimball.com/nof)

Form #NAIENVAS-01  
 #1399191

Printed in U.S.A  
 © 2001 Kimball International, Inc.

Proper product installation, in accordance with these instructions, is the responsibility of the installing agent. If you have any questions concerning these instructions, please call National Customer Care Teams.