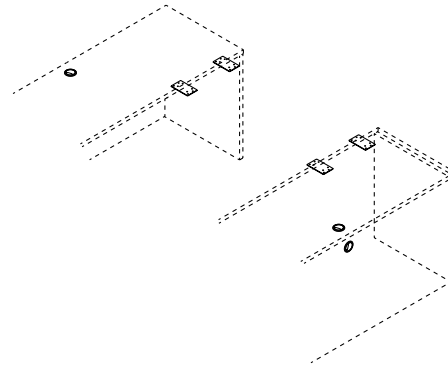


FOR BUILT-UP BRIDGE

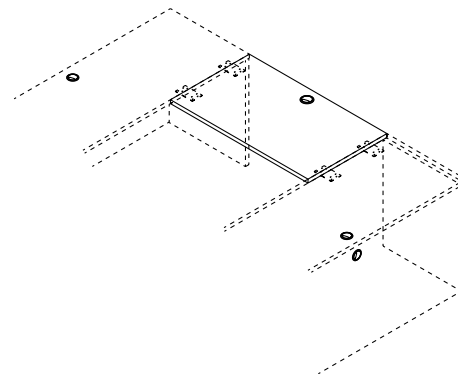
1 Turn desks towards each other at the approximate width of the bridge being installed. Mount (2) flat brackets to the underside of each of the desks as shown using $\frac{3}{4}$ " screws. Overlap the edge of the desk by half with the flat bracket (Figure A).

Figure A



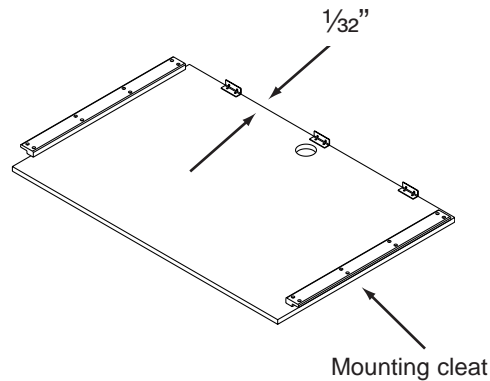
2 Place bridge surface on flat brackets. Carefully align all work-surfaces and attach flat brackets to bridge with $\frac{3}{4}$ " screws (Figure B).

Figure B



3 Place modesty panel face down on a smooth, hard surface. Attach L-Brackets at locations shown in Figure C using $\frac{5}{8}$ " screws. Tops of L-Brackets must be $\frac{1}{32}$ " below top edge of modesty panel. Attach mounting cleats to modesty panel as shown using $1\frac{1}{8}$ " screws (Figure C).

Figure C



**Bridge
(Built-up or shell)**

Recommended Tools

- Tape Measure
- Level
- Phillips Screw Bit
- Drill

Built-up Bridge Package Contents

| Contents | Qty. |
|---------------------------|------|
| • Bridge Surface | 1 |
| • Modesty Panel | 1 |
| • L-Brackets | 3 |
| • Flat Brackets | 4 |
| • Mounting Cleats | 2 |
| • $\frac{3}{4}$ " Screws | 40 |
| • $\frac{5}{8}$ " Screws | 12 |
| • $1\frac{1}{8}$ " Screws | 16 |

**Shell Bridge
60", 66", 72" Package Contents**

| Contents | Qty. |
|---------------------------|------|
| • Bridge Surface | 1 |
| • Modesty Panel | 1 |
| • L-Brackets | 11 |
| • Flat Brackets | 4 |
| • Mounting Cleats | 2 |
| • Support Panels | 2 |
| • $\frac{3}{4}$ " Screws | 40 |
| • $\frac{5}{8}$ " Screws | 44 |
| • $1\frac{1}{8}$ " Screws | 16 |

NATIONAL

Furniture with Personality™

Telephone 800.482.1717
 Fax 812.482.8800
www.furniture.kimball.com/nof

Form #NAIENVUB-01
 #1491068

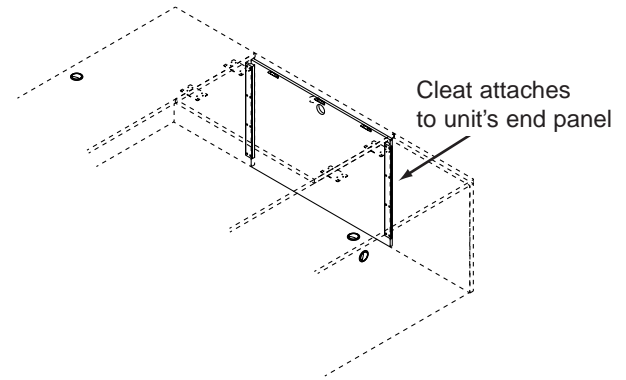
Printed in U.S.A
 © 2001 Kimball International, Inc.

Proper product installation, in accordance with these instructions, is the responsibility of the installing agent. If you have any questions concerning these instructions, please call National Customer Care Teams.

**Bridge
(Built-up or Shell)**

- 4** Place modesty panel in position under bridge. Attach L-Brackets to bridge using $\frac{5}{8}$ " screws. Attach wood mounting cleats to end panel of each desk using $\frac{3}{4}$ " screws (Figure D).

Figure D

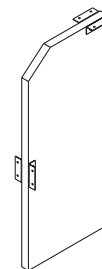


**FOR SHELL BRIDGE
(60", 66", 72")**

- 1** Follow steps 1 and 2 above to mount bridge surface between standing units.

- 2** Attach (4) L-Brackets to each support panel at locations shown in Figure E using $\frac{5}{8}$ " screws. Tops of L-Brackets must be $\frac{1}{32}$ " below edge of panel (Figure E).

Figure E



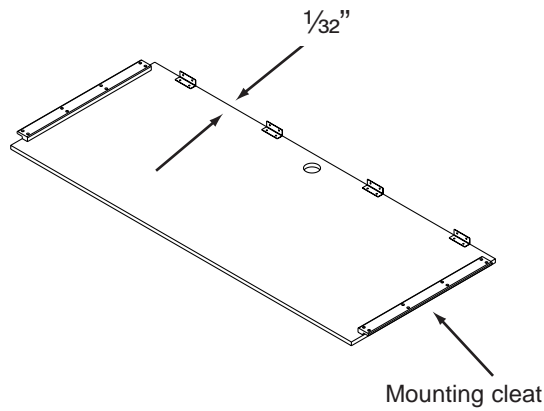
Proper product installation, in accordance with these instructions, is the responsibility of the installing agent. If you have any questions concerning these instructions, please call National Customer Care Teams.

**Bridge
(Built-up or Shell)**

3

Place modesty panel face down on a smooth, hard surface. Attach L-Brackets at locations shown in Figure F using $\frac{5}{8}$ " screws. Tops of L-Brackets must be $\frac{1}{32}$ " below top edge of modesty panel. Attach mounting cleats to modesty panel as shown using $1\frac{1}{8}$ " screws (Figure F).

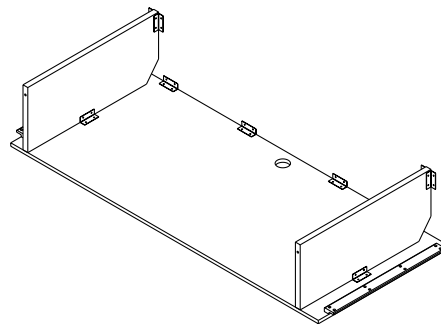
Figure F



4

Place support panels on modesty panel at locations shown in Figure G. Make sure panels are square and flush with top and bottom of modesty panel. Attach support panels to modesty panel using $\frac{5}{8}$ " screws (Figure G).

Figure G

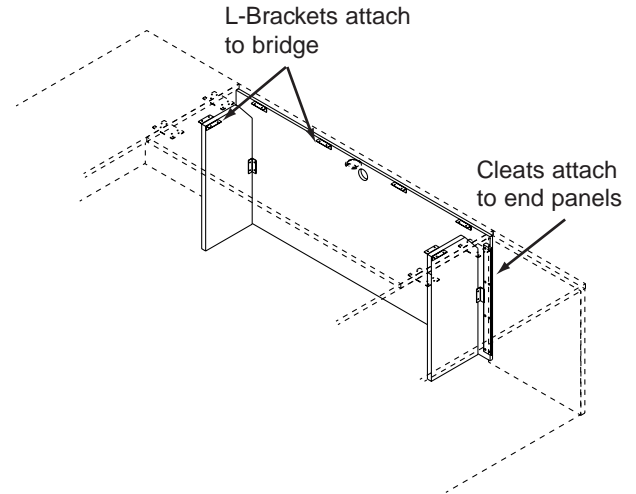


Proper product installation, in accordance with these instructions, is the responsibility of the installing agent. If you have any questions concerning these instructions, please call National Customer Care Teams.

Bridge
(Built-up or Shell)

- 5** Turn modesty panel upright and carefully move into position under bridge. Make sure all edges are flush. Attach L-Brackets on support panels and modesty panel to bridge surface using $\frac{5}{8}$ " screws. Attach mounting cleats to end panels of standing units using $\frac{3}{4}$ " screws. Level all units (Figure H).

Figure H



Proper product installation, in accordance with these instructions, is the responsibility of the installing agent. If you have any questions concerning these instructions, please call National Customer Care Teams.