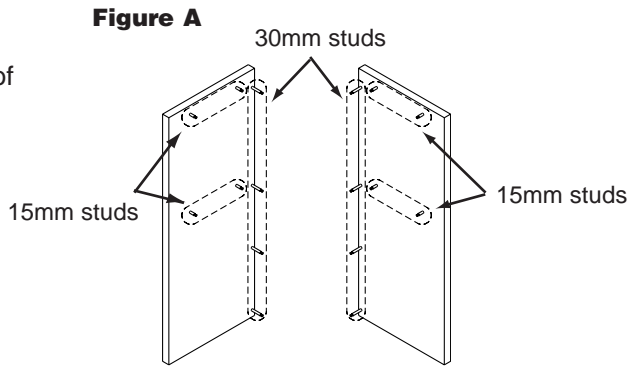


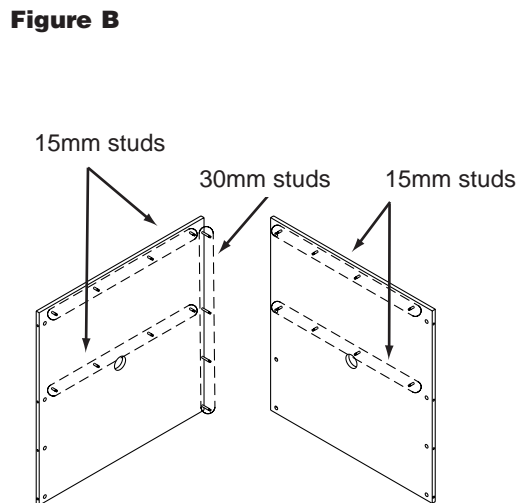
Corner Highback Organizer

Note: Unit may be assembled right side up.

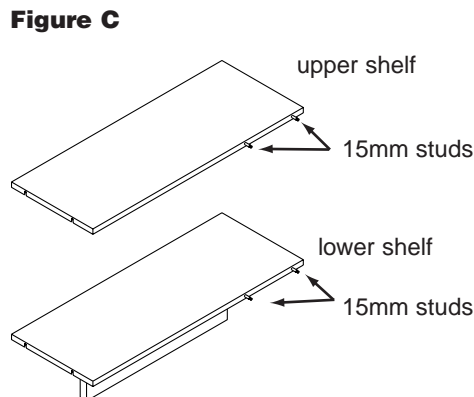
1 Screw in 15mm and 30mm threaded studs into the left and right end panels, making note of the location of each length in Figure A.



2 Screw in 15mm and 30mm threaded studs into the left and right back panels, making note of the location of each length in Figure B.



3 Screw in 15mm threaded studs into the front edge of the left shelves (Figure C).



Recommended Tools

- Phillips Screw Driver
- Straight Screw Driver
- Screw Gun
- Level

Package Contents

	Qty.
• Left End Panel	1
• Right End Panel	1
• Left Back Panel	1
• Right Back Panel	1
• Upper Right Shelf	1
• Lower Right Shelf	1
• Upper Left Shelf	1
• Lower Left Shelf	1
• 30mm Studs	12
• 15mm Studs	28
• Screws	16

NATIONAL

Furniture with Personality™

Telephone 800.482.1717
 Fax 812.482.8800
www.furniture.kimball.com/nof

Form #NAIENVCH-01
 #1498095

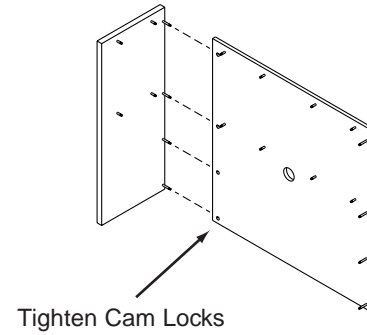
Printed in U.S.A.
 © 2001 Kimball International, Inc.

Proper product installation, in accordance with these instructions, is the responsibility of the installing agent. If you have any questions concerning these instructions, please call National Customer Service.

Corner Highback Organizer

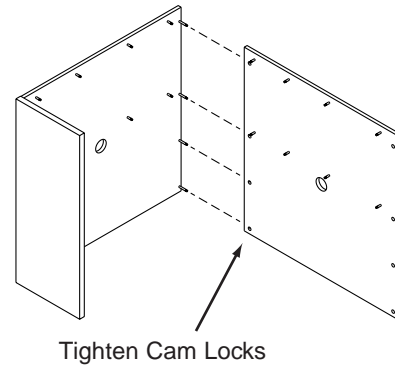
4 Attach the left end panel to the left back panel by inserting the exposed ends of the 30mm studs of the end panel into the corresponding holes in the edge of the back panel. Use the screwdriver to tighten all cam locks on the 30mm studs (Figure D).

Figure D



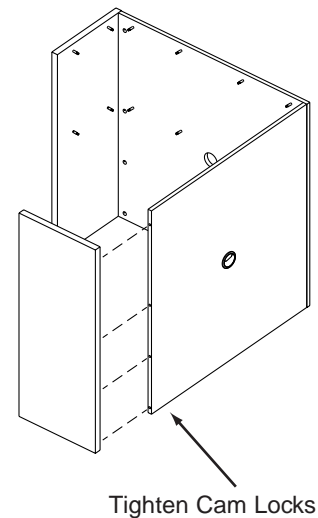
5 Attach the left back panel to the right back panel by inserting the exposed ends of the 30mm studs of the left panel into the corresponding holes in the edge of the right panel. Tighten all cam locks (Figure E).

Figure E



6 Attach the right end panel to the right back panel by inserting the exposed ends of the 30mm studs on the end panel into the corresponding holes in the edge of the right panel. Tighten all cam locks (Figure F).

Figure F



Proper product installation, in accordance with these instructions, is the responsibility of the installing agent. If you have any questions concerning these instructions, please call National Customer Service.

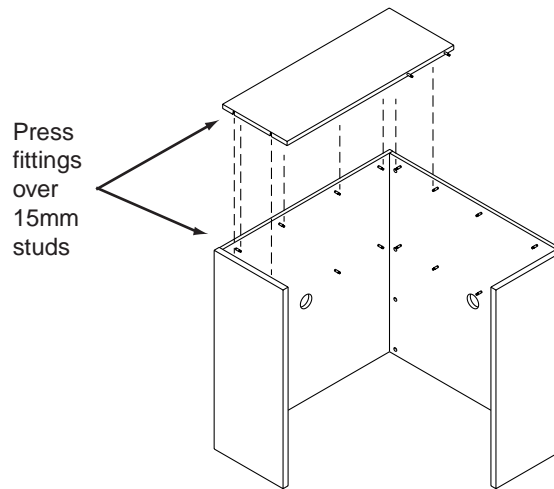
Corner Highback Organizer

7

Place upper left shelf in position over 15mm studs. Press down firmly and tighten with phillips screw driver (Figure G).

Note: Upper shelves have no trim rail. Refer to Figure C.

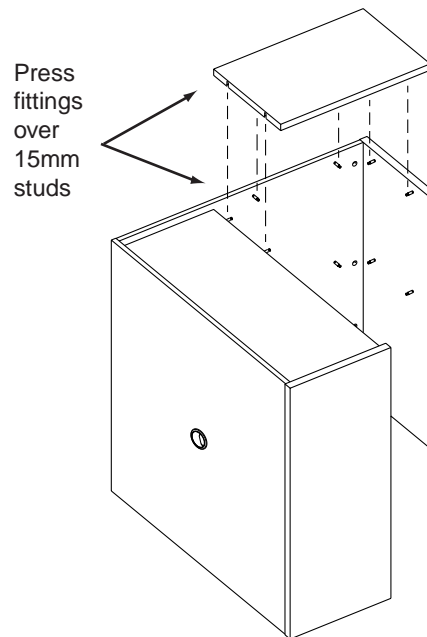
Figure G



8

Place upper right shelf in position over 15mm studs. Using a screw driver, tighten the shelf (Figure H).

Figure H



Proper product installation, in accordance with these instructions, is the responsibility of the installing agent. If you have any questions concerning these instructions, please call National Customer Service.

CASEGOODS

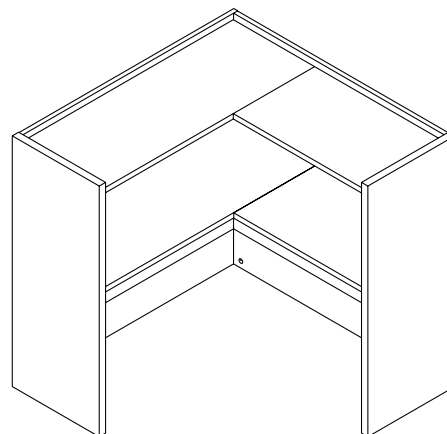
Assembly Instructions

Corner Highback Organizer

9

Repeat steps 7 and 8 to mount lower shelves.

Figure 1



Proper product installation, in accordance with these instructions, is the responsibility of the installing agent. If you have any questions concerning these instructions, please call National Customer Service.