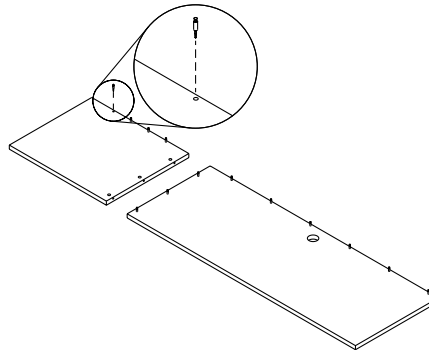


**Shell Base
Return
60", 66", 72"**

Note: For ease of construction, assemble this unit upside down.

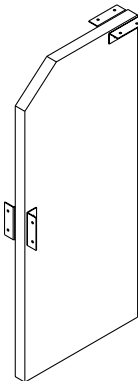
1 Place worksurface and end panel face down on a clean, hard surface. Screw threaded studs into pre-drilled holes in each panel (Figure A).

Figure A



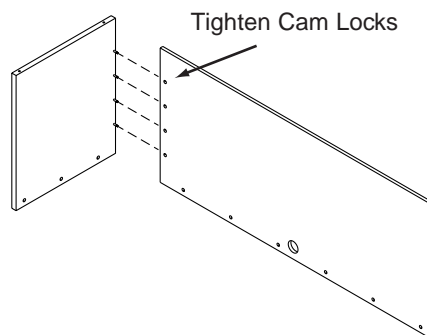
2 Attach (4) L-Brackets to support panel at locations shown in Figure B using 5/8" screws. Tops of L-Brackets must be 1/32" below edge of panel (Figure B).

Figure B



3 Stand the end and back panels upside down and insert the exposed ends of the threaded studs on the end panel into the corresponding holes in the edge of the modesty panel. Use the screwdriver to tighten the cam lock around each stud (Figure C).

Figure C



Recommended Tools

- Straight Screw Driver
- Screw Gun
- Level

Package Contents

	Qty.
• Top	1
• End Panel	1
• Modesty Panel	1
• Flat Brackets	2
• 1 1/8" Screws	4
• 3/4" Screws	4
• 5/8" Screws	32
• Mounting Cleat	1
• Threaded Studs	(quantity varies with size of unit)

NATIONAL
Furniture with Personality™

Telephone 800.482.1717
Fax 812.482.8800
www.furniture.kimball.com/nof

Form #NAIENVSR2-01
#1284664

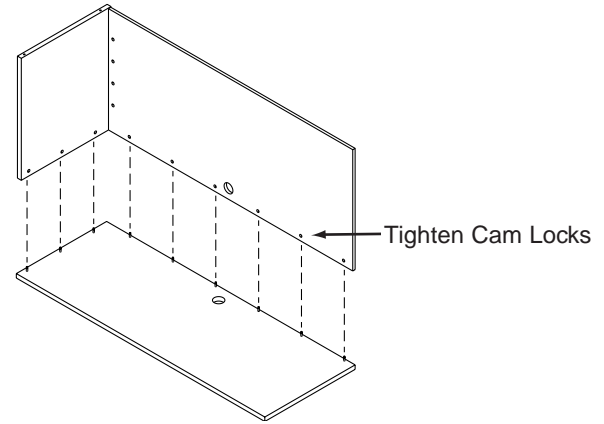
Printed in U.S.A
© 2001 Kimball International, Inc.

Proper product installation, in accordance with these instructions, is the responsibility of the installing agent. If you have any questions concerning these instructions, please call National Customer Care Teams.

**Shell Base
Return
60", 66", 72"**

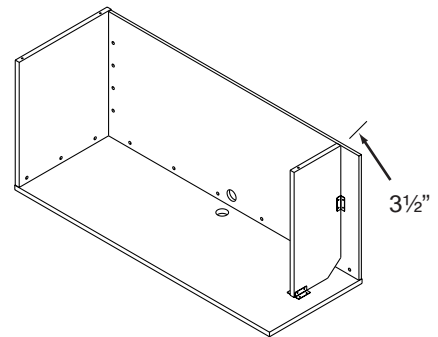
4 Lift the end panel/modesty panel assembly and attach it to the top worksurface by inserting the exposed ends of the threaded studs into the corresponding holes in the edges of the panels. Tighten all cam locks (Figure D).

Figure D



5 Attach support panel to worksurface and modesty panel at location shown in Figure E using $\frac{5}{8}$ " screws. Support panel should be recessed $3\frac{1}{2}$ " from the ends. Make sure support panel is square and tight against all surfaces (Figure E).

Figure E



6 Carefully turn unit upright (Figure F).

Figure F

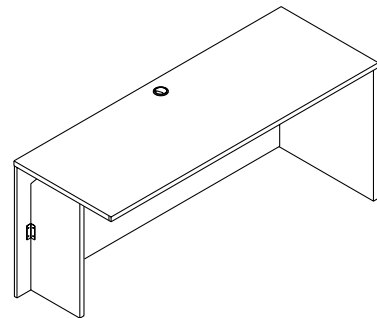
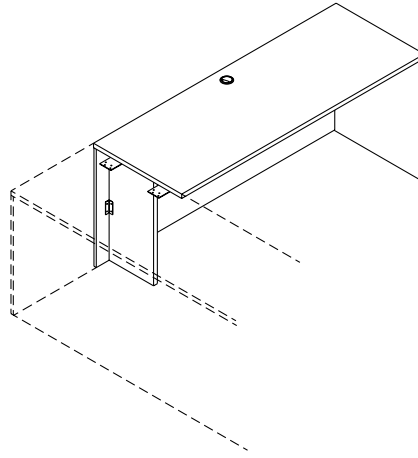


Figure G

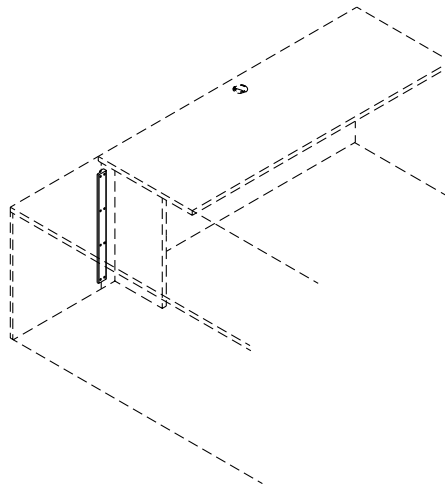
Proper product installation, in accordance with these instructions, is the responsibility of the installing agent. If you have any questions concerning these instructions, please call National Customer Care Teams.

**Shell Base
Return
60", 66", 72"****7**

To mount return to desk or credenza, attach flat brackets to underside of return as shown using $\frac{5}{8}$ " screws. Overlap the brackets by half. Attach L-Brackets to underside of desk or credenza using $\frac{5}{8}$ " screws (Figure G).

Figure G**8**

Attach mounting cleat to the return's modesty panel using (4) $1\frac{1}{8}$ " screws. Attach mounting cleat to the desk or credenza's end panel using (4) $\frac{3}{4}$ " screws (Figure H).

Figure H

Assembly Instructions

**Shell Base
Return
60", 66", 72"**

Proper product installation, in accordance with these instructions, is the responsibility of the installing agent. If you have any questions concerning these instructions, please call National Customer Care Teams.