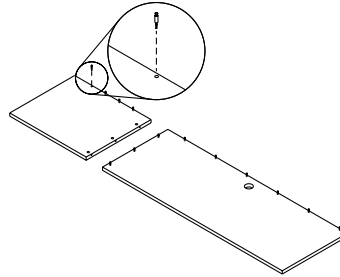


**Shell Base
Return
36", 42", 48"**

Note: For ease of construction, assemble the end and back panels upside down.

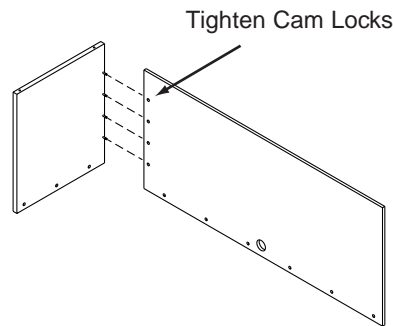
1 Turn worksurface and end panel face down on a smooth, hard surface. Screw threaded studs into pre-drilled holes in each panel (Figure A).

Figure A



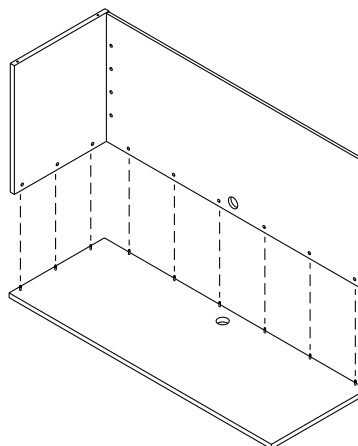
2 Stand the end and modesty panel upside down and insert the exposed ends of the threaded studs on the end panel into the corresponding holes in the edge of the modesty panel. Use the screwdriver to tighten the cam locks around each stud (Figure B).

Figure B



3 Lift the end panel/modesty panel assembly and attach it to the top worksurface by inserting the exposed ends of the threaded studs into the corresponding holes in the edges of the panels. Tighten all cam locks (Figure C).

Figure C



Recommended Tools

- Straight Screw Driver
- Screw Gun
- Level

Package Contents

	Qty.
• Top	1
• End Panel	1
• Modesty Panel	1
• Flat Brackets	2
• Mounting Cleat	1
• 1 1/8" Screws	4
• 3/4" Screws	4
• 5/8" Screws	16
• Threaded Studs (quantity varies with size of unit)	

NATIONAL
Furniture with Personality™

Telephone 800.482.1717
Fax 812.482.8800
www.furniture.kimball.com/nof

Form #NAIENVSR-01
#1284663

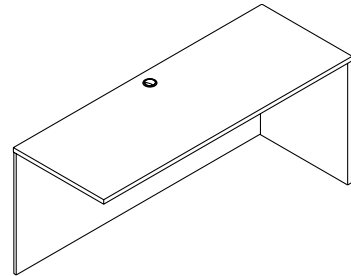
Printed in U.S.A
© 2001 Kimball International, Inc.

Proper product installation, in accordance with these instructions, is the responsibility of the installing agent. If you have any questions concerning these instructions, please call National Customer Care Teams.

**Shell Base
Return
36", 42", 48"**

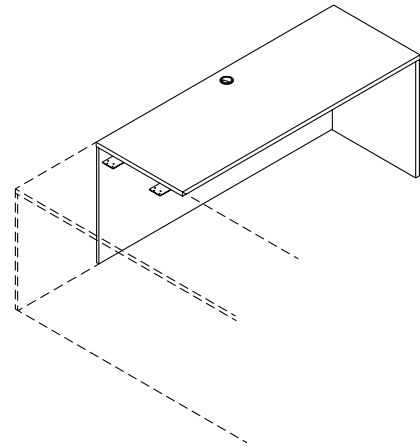
- 4** Carefully turn unit upright (Figure D).

Figure D



- 5** To mount return to desk or credenza, attach flat brackets to underside of return as shown using $\frac{5}{8}$ " screws. Overlap the brackets by half. Attach L-Brackets to underside of desk or credenza using $\frac{5}{8}$ " screws (Figure E).

Figure E



- 6** Attach mounting cleat to the return's modesty panel using (4) $1\frac{1}{8}$ " screws. Attach mounting cleat to the desk or credenza's end panel using (4) $\frac{3}{4}$ " screws (Figure F).

Figure F

