

**1** Lay one set-on-surface bookcase on it's back on a smooth, hard surface (Figure A).

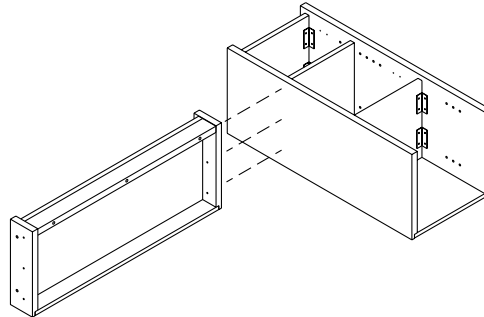
**2** Lay suspended shelf on it's back and position it in desired location against side of bookcase. Attach shelf to bookcase with (3) of the screws provided (Figure A).

**Note:** It is recommended that the suspended shelf be mounted at a level even with a shelf in the bookcase.

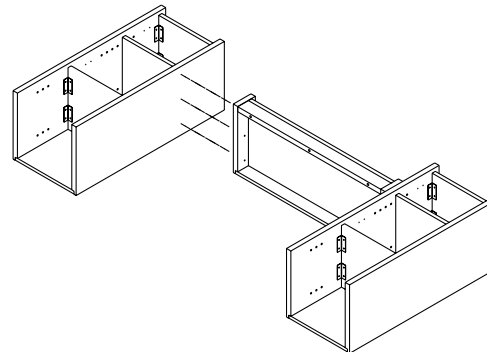
**3** Repeat steps 1 and 2 to attach shelf to second bookcase. Make sure shelf is attached at same level on both ends (Figure B).

**4** Carefully place assembled unit in an upright position and set in desired location (Figure C).

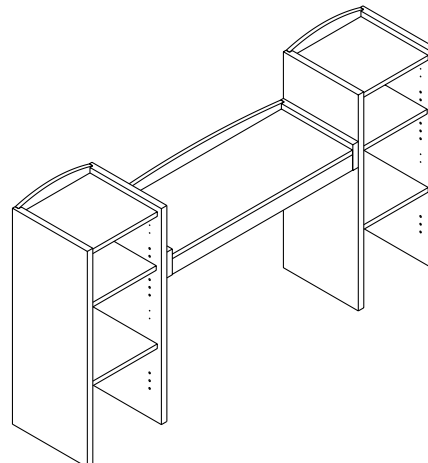
**Figure A**



**Figure B**



**Figure C**



Assembly Instructions

## Suspended Shelf

### Recommended Tools

- Tape Measure
- Screw Gun

### Package

Contents	Qty.
• Suspended Shelf	1
• Mounting Screws	6

**NATIONAL**

Furniture with Personality™

Telephone 800.482.1717  
 Fax 812.482.8800  
[www.furniture.kimball.com/nof](http://www.furniture.kimball.com/nof)

Form #NAIENVSS-01  
 #1498797

Printed in U.S.A  
 © 2001 Kimball International, Inc.

Proper product installation, in accordance with these instructions, is the responsibility of the installing agent. If you have any questions concerning these instructions, please call National Customer Care Teams.