

T A B L E S

1

Note: These instructions explain basic installation of table legs to worksurfaces. For safety purposes, it is recommended that more than one person be used to move worksurfaces and/or assembled tables.

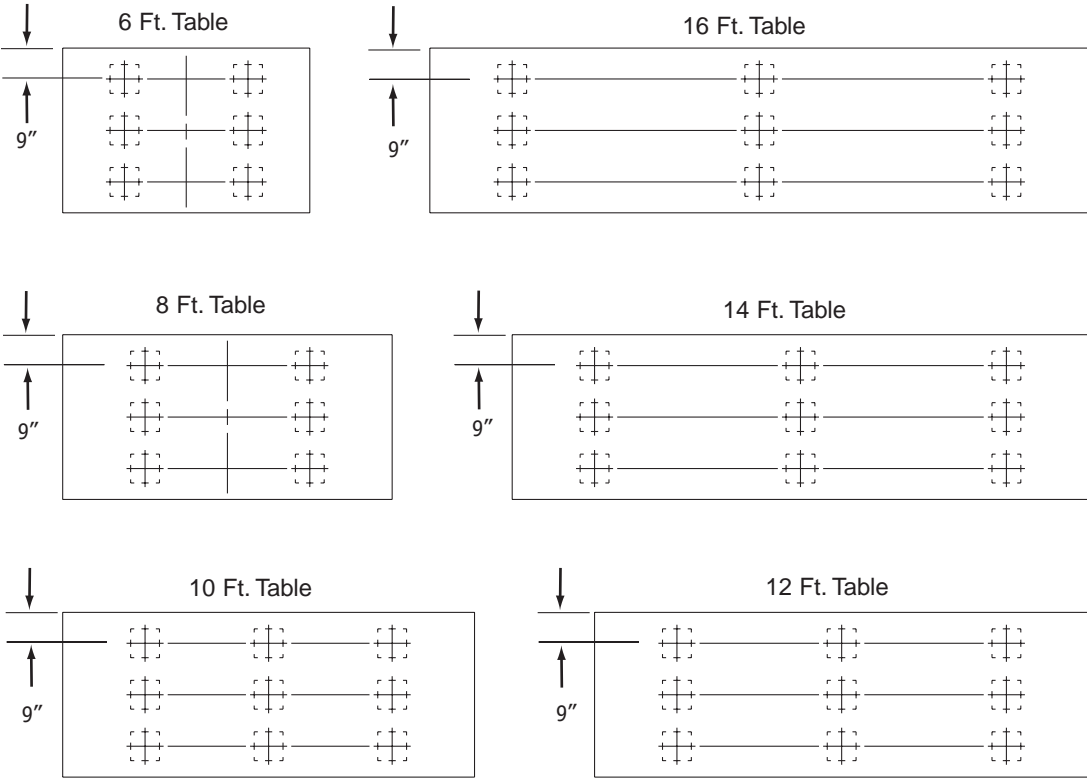
Unpack the worksurface and place it face down on a smooth, hard surface. Take care to not damage the worksurface.

2

Determine the length of the worksurface and use the tape measure to mark the centers of the legs or leg sets based on the dimensions shown in Figure A.

Note: The 9" dimensions shown in Figure A are to the centers of the legs.

Figure A



Proper product installation, in accordance with these instructions, is the responsibility of the installing agent. If you have any questions concerning these instructions, please call National Customer Service.

Assembly Instructions

Conference Tables

Recommended Tools

- Screw Gun
- Phillips Bit
- Tape Measure

Package Contents

- Doric Leg
- Double Doric Leg Set
- Gibraltar Leg Set
- Cylinder Base
- 16" x 16" Square Base
- 12 x 1" Pan Head Screws
- Worksurface

Qty.

- per order
- per order
- per order
- per order
- per order
- per order
- per order

NATIONAL

Furniture with Personality™

Telephone 800.482.1717
 Fax 812.482.8800
 www.nationalonline.com

Form #NAITABLE
 #1284656

Printed in U.S.A
 © 2001 Kimball International, Inc.

T A B L E S

Assembly Instructions

Conference Tables

3

Position legs or leg sets over center markings.

Note: It is recommended that edges of flanges be parallel with edges of worksurface.

Note: When attaching legs with cable management access holes, make sure legs are turned or positioned for most efficient usage of cable management.

4

Attach legs or leg sets to worksurface with screws through each hole in leg flange (Figure B, C, D, E, F).

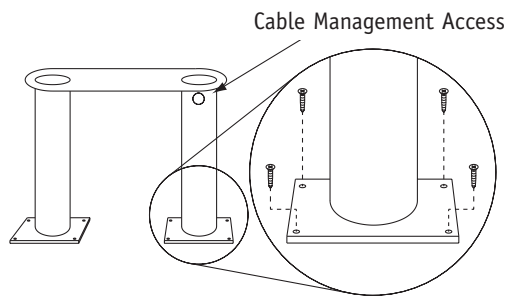
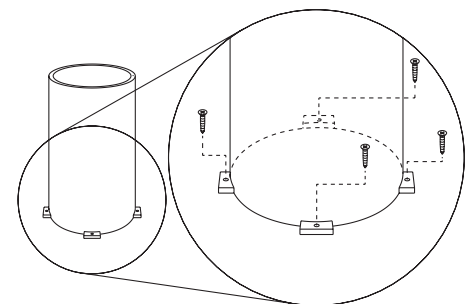
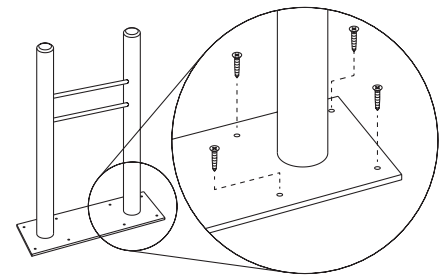
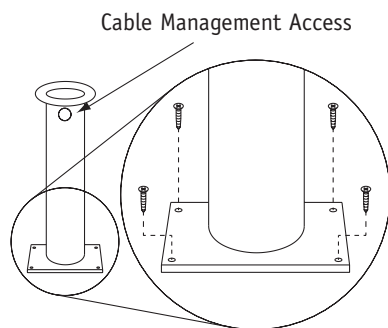
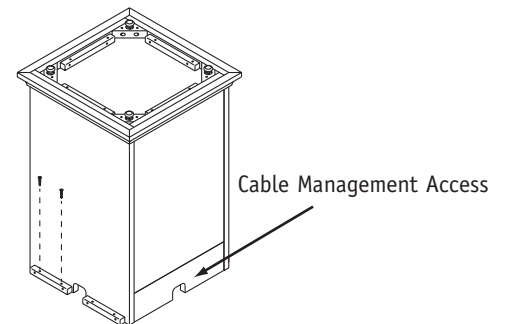


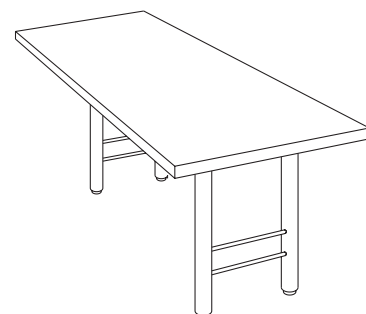
Figure B, C, D, E, F



5

Carefully turn assembly upright (Figure G).

Figure G



Proper product installation, in accordance with these instructions, is the responsibility of the installing agent. If you have any questions concerning these instructions, please call National Customer Service.