

**ESCALADE SERIES
CRT Assembly**

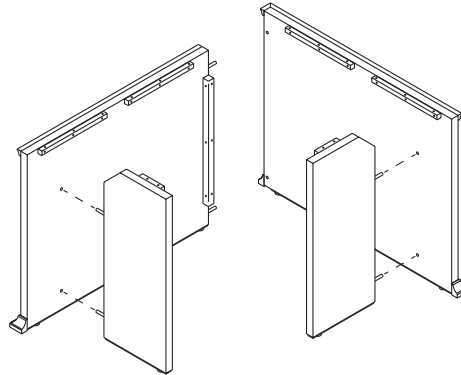
Recommended Tools

- Phillips Screwdriver
- Tape Measure
- Level

| Package Contents | Qty. |
|-------------------------|-------------|
| • End Panels | 2 |
| • Support Panels | 2 |
| • Worksurface | 1 |
| • Cleats | 9 |
| • Screws | 70 |

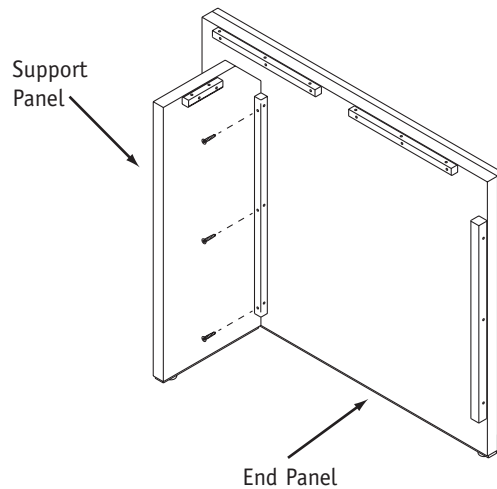
1 Line up positioning dowels in support panel with holes in end panel (Figure A).

Figure A



2 Insert screws into cleats and fasten (Figure B).

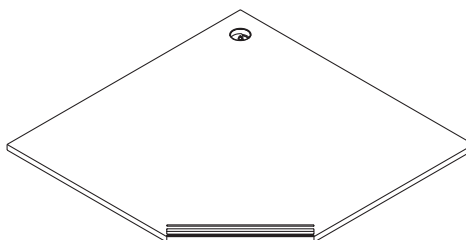
Figure B



3 Repeat for right side.

4 Place CRT worksurface face down on a smooth, hard surface. Take care to not mar the worksurface (Figure C).

Figure C



NATIONAL
Furniture with Personality™

Telephone 800.482.1717
Fax 812.482.8800
www.nationalonline.com

Form #NAIECRT
Part #1579853

Printed in U.S.A.
© 2001 Kimball International, Inc.

Proper product installation, in accordance with these instructions, is the responsibility of the installing agent. If you have any questions concerning these instructions, please call National Customer Service.

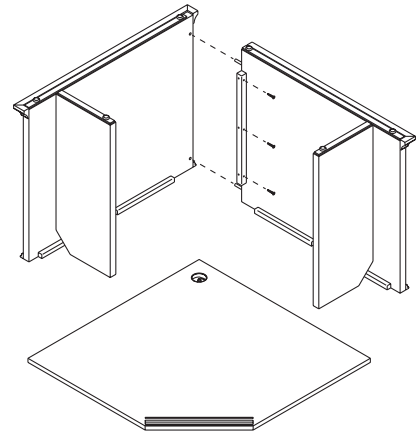
CASEGOODS

Assembly Instructions

ESCALADE SERIES CRT Assembly

- 5** Position end panels 90° from each other. Line up positioning dowels in one end panel with holes in the other end panel (Figure D).

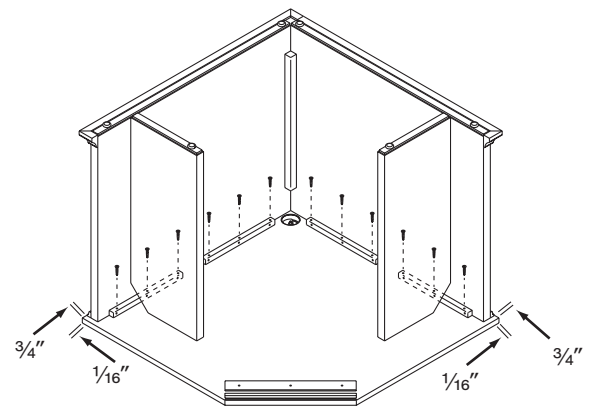
Figure D



- 6** Insert screws into cleat and fasten.

- 7** Set CRT end panels on top of work-surface. Measure out 1/16" from back of both end panels to back of work-surface. Measure out 3/4" from the edge of each end panel to the edge of the worksurface (Figure E).

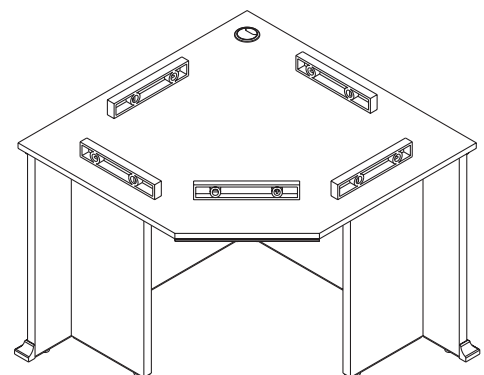
Figure E



- 8** Insert screws into cleats and fasten.

- 9** Make sure the five (5) adjustable glides are fully seated. Turn the unit right side up and level by turning the glides clockwise to extend them. Check the adjustment by placing the level in the five (5) positions shown (Figure F).

Figure F



Proper product installation, in accordance with these instructions, is the responsibility of the installing agent. If you have any questions concerning these instructions, please call National Customer Service.